



- Lamp: Flashing beacon – XENON (5 J)/continuous beacon – LED
- Type of protection: Ex d with Ex e connection chamber
- Class: IP66 (IEC 60529)
- Robust aluminium enclosure (powder-coated)
- Six lens colours can be ordered

E5

MY R. STAHL 6161A



The **6161 product series** can be used as a signal lamp or warning lamp in areas with an explosive gas atmosphere or explosive dust atmosphere.



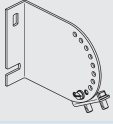
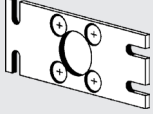
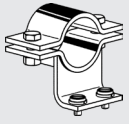
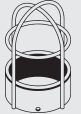
	IECEX / ATEX					
Zone	0	1	2	20	21	22
Installation in		•	•		•	•

Selection Table						
Lamp	Flash tubes					
Lens colour	Rated operational voltage AC	Rated operational voltage DC	Product Type	Art. No.	Weight	
Amber	24 ... 42 V	12 ... 48 V	6161/2-61-621-0-1	120680	1.4 kg	
	42 ... 48 V	60 ... 80 V	6161/2-41-621-0-1	219817	1.4 kg	
	110 ... 127 V	–	6161/2-31-621-0-1	219809	1.4 kg	
	230 V	–	6161/2-11-621-0-1	120662	1.4 kg	
Blue	24 ... 42 V	12 ... 48 V	6161/2-61-421-0-1	219803	1.4 kg	
	42 ... 48 V	60 ... 80 V	6161/2-41-421-0-1	219816	1.4 kg	
	110 ... 127 V	–	6161/2-31-421-0-1	219808	1.4 kg	
	230 V	–	6161/2-11-421-0-1	219250	1.4 kg	
Clear	24 ... 42 V	12 ... 48 V	6161/2-61-221-0-1	219802	1.4 kg	
	42 ... 48 V	60 ... 80 V	6161/2-41-221-0-1	219814	1.4 kg	
	110 ... 127 V	–	6161/2-31-221-0-1	219806	1.4 kg	
	230 V	–	6161/2-11-221-0-1	219249	1.4 kg	
Green	24 ... 42 V	12 ... 48 V	6161/2-61-521-0-1	263357	1.4 kg	
	42 ... 48 V	60 ... 80 V	6161/2-41-521-0-1	219819	1.4 kg	
	110 ... 127 V	–	6161/2-31-521-0-1	219810	1.4 kg	
	230 V	–	6161/2-11-521-0-1	219801	1.4 kg	
Red	24 ... 42 V	12 ... 48 V	6161/2-61-321-0-1	120668	1.4 kg	
	42 ... 48 V	60 ... 80 V	6161/2-41-321-0-1	219815	1.4 kg	
	110 ... 127 V	–	6161/2-31-321-0-1	219807	1.4 kg	
	230 V	–	6161/2-11-321-0-1	120655	1.4 kg	
Yellow	24 ... 42 V	12 ... 48 V	6161/2-61-121-0-1	120674	1.4 kg	
	42 ... 48 V	60 ... 80 V	6161/2-41-121-0-1	219813	1.4 kg	
	110 ... 127 V	–	6161/2-31-121-0-1	219805	1.4 kg	
	230 V	–	6161/2-11-121-0-1	120648	1.3 kg	

Selection Table					
Lamp	LED				
Lens colour	Rated operational voltage AC	Rated operational voltage DC	Product Type	Art. No.	Weight
Amber	24 V	24 V	6161/3-70-621-0-1	219849	1.4 kg
	230 V	-	6161/3-10-621-0-1	219842	1.4 kg
Blue	24 V	24 V	6161/3-70-421-0-1	219848	1.4 kg
	230 V	-	6161/3-10-421-0-1	219832	1.4 kg
Clear	24 V	24 V	6161/3-70-221-0-1	219846	1.4 kg
	230 V	-	6161/3-10-221-0-1	219828	1.4 kg
Green	24 V	24 V	6161/3-70-521-0-1	219850	1.4 kg
	230 V	-	6161/3-10-521-0-1	219844	1.4 kg
Red	24 V	24 V	6161/3-70-321-0-1	219847	1.4 kg
	230 V	-	6161/3-10-321-0-1	219831	1.4 kg
Yellow	24 V	24 V	6161/3-70-121-0-1	219845	1.4 kg
	230 V	-	6161/3-10-121-0-1	219822	1.4 kg

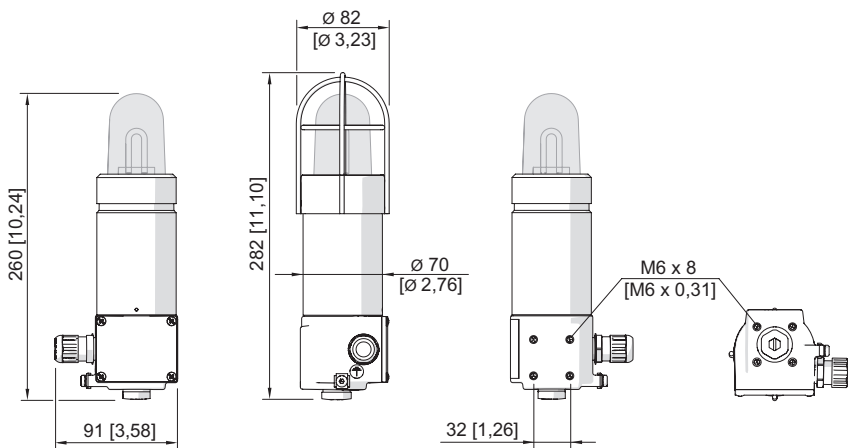
Technical Data		
Variant	LED	Flash tubes
Explosion Protection		
IECEX gas explosion protection	Ex db eb IIC T6 Gb	Ex db eb IIC T6 / T5 Gb
IECEX dust explosion protection	Ex tb IIIC T65 °C / T75 °C Db	Ex tb IIIC T85 °C / T100 °C Db
ATEX gas explosion protection	Ⓔ II 2 G Ex db eb IIC T6 Gb	Ⓔ II 2 G Ex db eb IIC T6 / T5 Gb
ATEX dust explosion protection	Ⓔ II 2 D Ex tb IIIC T65 °C / T75 °C Db	Ⓔ II 2 D Ex tb IIIC T85 °C / T100 °C Db
Certificates	ATEX (BVIS), IECEX (BVIS)	ATEX (BVIS), IECEX (BVIS)
Ship approval		DNV
Declaration of conformity	ATEX (EUK)	ATEX (EUK)
Electrical Data		
Back-up fuse	4 AT	4 AT
Ambient Conditions		
Ambient temperature	-40 °C ... +40 °C (T6) -40 °C ... +50 °C	-40 °C ... +40 °C (T6) -40 °C ... +50 °C (T5)
Mechanical Data		
Degree of protection (IP) (IEC 60529)	IP66	IP66
Enclosure material	Aluminium, powder-coated, Seawater-resistant	Aluminium, powder-coated, Seawater-resistant
Enclosure colour	Yellow / black, powder-coated	Yellow / black, powder-coated
Sealing material	NBR O-ring seal	NBR O-ring seal
Material dome	Polycarbonate (Lexan) Prismatic	Polycarbonate (Lexan) Prismatic
Terminal marking	PE + N + L1	PE + N + L1
Max. solid connection terminals	4 mm ²	4 mm ²
Max. finely stranded connection terminals	2.5 mm ²	2.5 mm ²
Mounting / Installation		
Mounting part material	Stainless steel	Stainless steel
Note about mounting	Can be ordered as accessories	Can be ordered as accessories
Connection type	Screw terminals, 3-pin	Screw terminals, 3-pin
Components		
Drilled holes	2 x M20	2 x M20
Cable glands and entries	1 x M20 Ø 4 ... 13 mm	1 x M20 Ø 4 ... 13 mm
Cable entry material	Polyamide, black	Polyamide, black
Stopping plugs	1 x M20 x 1.5	1 x M20 x 1.5
Stopping plug material	Polyamide, black	Polyamide, black

You can find more technical data online at r-stahl.com. MY R. STAHL 6161A

Accessories			
Figure	Description	Art. No.	Weight
Plastic cable gland			
	8161/7-M20-1304, Ex e Polyamide, M20 x 1,5 mm, 4 – 13 mm Lot size 50 pieces	239156	13 g
Stopping plug			
	8290/3-M20 Plastic, M20 x 1.5 Lot size 1 piece	143522	7 g
	8290/3-M20 Plastic, M20 x 1.5 Lot size 100 pieces	285773	500 g
Mounting accessories			
	Mounting bracket for wall or floor mounting, stainless steel, incl. mounting screws	120826	480 g
	Mounting plate for wall or floor mounting (stainless steel), incl. mounting screws	120821	158 g
	Pipe clamp, R 1 1/4"	120812	500 g
	Pipe clamp, R 1 1/2"	120819	470 g
	Pipe clamp, R 2"	120823	500 g
	Protective cage, stainless steel	307544	300 g

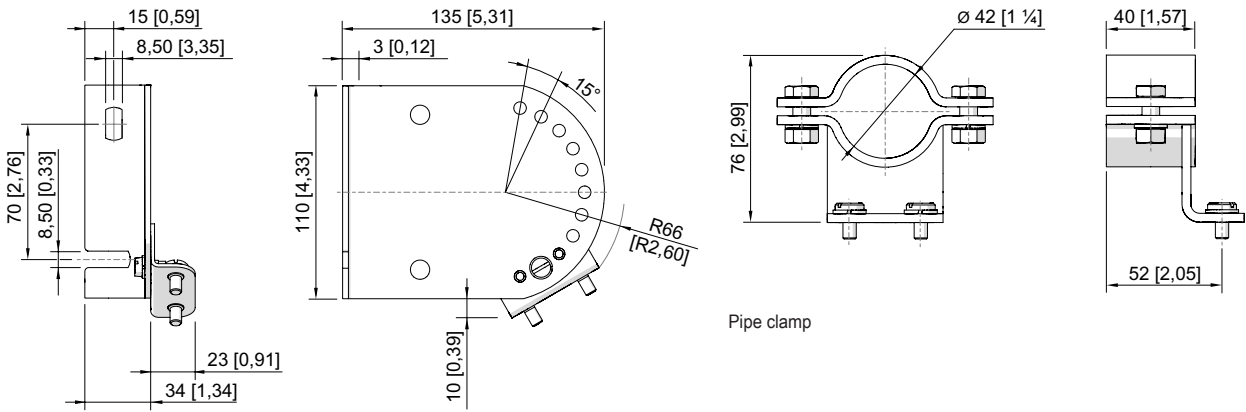
Lot size: Purchase order quantity in [no. of units]; the delivery quantity is automatically rounded to the lot size.

Dimensional Drawings (All Dimensions in mm [inches]) – Subject to Alterations



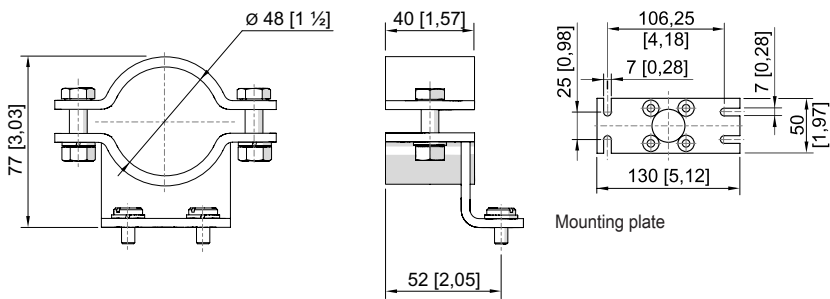
Flashing beacon 6161

E5



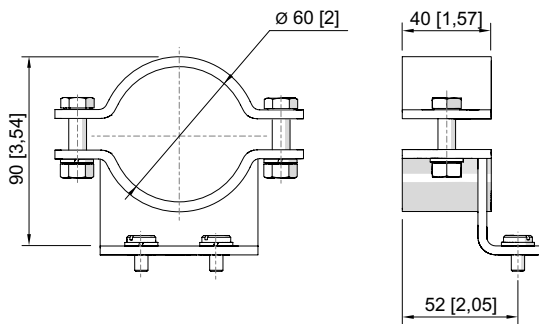
Ceiling or wall-mounting bracket

Pipe clamp



Mounting plate

Pipe clamp Ø48



Pipe clamp Ø60