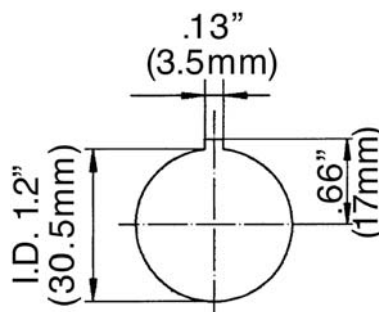


8018/3 ILLUMINATED PUSHBUTTONS



Technical Data

ENCLOSURE	
Material - Enclosure	Polyamide
Material - Bezel	Polyamide
Colors	red, amber, green, blue and white
Wire Leads	6 Core, 18 AWG, 20' Length
Enclosure Knock-out	30.5 mm or 1 2" I.D.
CONTACTS	
Material	Silver-Nickel
Contact Life	10 ⁶ Operations
Lowest Energy	12V AC/DC, 50 mA*
Contact Switching Capacity	AC – A600 (720VA Max.) DC – 110V Max. 1 Amp Max.
LED PILOT LIGHT	
LED Life	10 ⁶ Output Hours
Rated Voltage	12V to 254V AC/DC 0-60 Hz
Rated Current	14 mA at 24V DC
Rated Power	0.6W



Knockout for 8018

*For lower energy use gold plated contacts, available on request.

Enclosure Type Rating For Installation

Area Classification of Use	Illuminated Pushbutton with Lead
Class I Zone 1	Enclosure Type [ⓐ] 1, 2, 3, 3R, 4, 4X, 12 or 13
Class I Division 2 Groups A, B, C, & D	Enclosure Type 1, 2, 3, 3R, 4, 4X, 12 or 13

[ⓐ] Terminate in "Increased Safety" Enclosure.



Ordering Information

Description	Wire Connections	CATALOG NUMBER
Illuminated Pushbutton Spring Return 1 NC and 1 NO		8018/3113-al-6
Illuminated Pushbutton Spring Return 2 NC		8018/3123-al-6
Illuminated Pushbutton Spring Return 2 NO		8018/3133-al-6

CLASSIFICATIONS

NEC- Class I, Zone 2, AEx nC IIC T6
Class I, Division 2, Groups A,B,C,D
Class I, Zone 1, contact factory

CEC- Class I, Zones 1 & 2, Ex dm IIC T6
Class I, Division 2, Groups A,B,C,D

US File No. E182378

Environmental Protection 3, 4, 4X; IP66
depending on enclosure (see table –
"Enclosure Type Rating For Installation")

II 2 D Ex tD A21 IP66 T80°C
PTB 02 ATEX 2129X
IP66 depending on enclosure

Ambient Temperature Range:
+60°C (+140°F) Max.
–30°C (–22°F) Min.

IECEX
Ex d mb IIC T6
Ex tD A21 IP66 T80°C
IECEX PTB 07.0011 X

FEATURES:

The illuminated Pushbutton for panel mounting Series 8018/3 combines control and indicating functions. One actuator operates two contacts and simultaneously can indicate their actual operating status by means of an LED. All illuminated Pushbuttons are spring return action and come with a clear bezel and five colored snap-in filter disks, red, amber, green, blue and white. All disks are included in the package for the user to choose from.

