

- Six basic enclosure sizes, optional sight glasses
- International certification, wide temperature range, seawaterresistant enclosure made of light metal
- Empty enclosure
- Customer-specific entries available on request
- For use in Class I, Div. 1 and 2

J

MY R. STAHL 8265K



R. STAHL Series 8265 Ex d enclosures are explosion-protected and dust-explosion-protected empty enclosures with global approval. The cover can be opened wide to allow easier access for installing and servicing components inside the enclosure. The cover is also available with a sight glass. R. STAHL can install various different devices in the enclosure, including components which generate arcs and sparks, depending on customer requirements. Ask your R. STAHL representative whether the equipment you require can be installed in the enclosure.


	NEC® 500 CE Code Appendix J					
	Class I		Class II		Class III	
Division	1	2	1	2	1	2
Ex interface						
Installation in	•		•		•	

	CE Code Section 18					
	NEC® 505			NEC® 506		
	Class I					
Zone	0	1	2	20	21	22
Ex interface						
Installation in		•	•			

	IECEx / ATEX					
Zone	0	1	2	20	21	22
Ex interface						
Installation in		•	•		•	•

Selection Table										
Version	Without entry									
Enclosure size	Cover	Width, inches	Width	Height in inches	Height	Length in inches	Length	Product Type	Art. No.	Weight lb
1	With inspection window	4.92 in	125 mm	5.2 in	132 mm	4.92 in	125 mm	8265/61-0020	211089 ▲	6.14 lb
	without window	4.92 in	125 mm	5.2 in	132 mm	4.92 in	125 mm	8265/61-0000	211114 ▲	6.1 lb
2	With inspection window	6.1 in	155 mm	5.2 in	132 mm	6.1 in	155 mm	8265/62-0020	165781 ▲	8.82 lb
	without window	6.1 in	155 mm	5.2 in	132 mm	6.1 in	155 mm	8265/62-0000	165778 ▲	8.49 lb
3	With inspection window	7.68 in	195 mm	6.77 in	172 mm	7.68 in	195 mm	8265/63-0020	165782 ▲	15.43 lb
	without window	7.68 in	195 mm	6.77 in	172 mm	7.68 in	195 mm	8265/63-0000	165779 ▲	14.51 lb
4	With inspection window	9.29 in	236 mm	8.94 in	227 mm	9.29 in	236 mm	8265/64-0020	165783 ▲	24.25 lb
	without window	9.29 in	236 mm	8.94 in	227 mm	9.29 in	236 mm	8265/64-0000	165780 ▲	23.46 lb
5	With inspection window	11.22 in	285 mm	9.06 in	230 mm	11.22 in	285 mm	8265/65-0020	211064 ▲	40.34 lb
	without window	11.22 in	285 mm	9.06 in	230 mm	11.22 in	285 mm	8265/65-0000	211128 ▲	40.34 lb
6	With inspection window	13.19 in	335 mm	11.06 in	281 mm	13.19 in	335 mm	8265/66-0020	202082 ▲	61.62 lb
	without window	13.19 in	335 mm	11.06 in	281 mm	13.19 in	335 mm	8265/66-0000	202091 ▲	61.35 lb

Technical Data	
Explosion Protection	
Certificate ULus	E307783
Marking ULus	Class I, Div. 1, Groups A,B,C,D Class II,III, Div. 1, E, F, G Class I, Zone 1, Group IIC Enclosure Type 3, 4, 4X
Certificate cUL	E114097
Marking cUL	Class I, Zone 1, Group IIC Class I, Div. 1, Groups A,B,C,D Class II,III, Div. 1, E, F, G Enclosure Type 3, 4, 4X
Marking Notes	also for installation in Class I, II and III, Div. 2
IECEX gas certificate	IECEX PTB 07.0027 U
IECEX gas explosion protection	Ex db eb IIC Gb
IECEX dust certificate	IECEX PTB 07.0027 U
IECEX dust explosion protection	Ex tb IIIC Db
ATEX gas certificate	PTB 06 ATEX 1023 U
ATEX gas explosion protection	⊕ II 2 G Ex db eb IIC Gb
ATEX dust certificate	PTB 06 ATEX 1023 U
ATEX dust explosion protection	⊕ II 2 D Ex tb IIIC Db
Certificates	ATEX (PTB), Canada (UL), IECEX (PTB), USA (UL)
Notes	Product label may vary. Other certificates available on request.
Electrical Data	
Notes	depending on the equipment and components used
Ambient Conditions	
Ambient temperature °F	-58°F ... +122°F
Ambient temperature °C	-50 °C ... +50 °C
Mechanical Data	
Degree of protection (IP)	IP54
Degree of protection note	IP66 with silicone O-ring
Enclosure type (NEMA250)	3, 4, 4X
Enclosure material	Aluminium, copper-free, Seawater-resistant

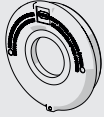
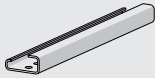
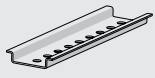
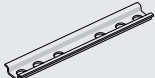
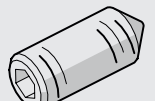
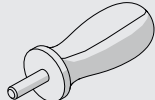
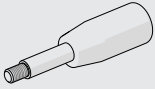
Accessories				
Figure	Description	Product Type	Art. No.	Weight lb
Threaded cover without window				
	Enclosure: 8265/1-0000	Cover 8265 size1 machined	208861	1.85
	Enclosure: 8265/2-0000	Cover 8265 Size 2 machined	143468	3.15
	Enclosure: 8265/3-0000	Cover 8265 Size 3 machined	143470	4.46
	Enclosure: 8265/4-0000	Cover 8265 Size 4 machined	143472	6.92
	Enclosure: 8265/5-0000	Cover 8265 size5 machined	143474	10.8
	Enclosure: 8265/6-0000	Cover 8265 Size 6 machined	143476	19.36

Ex d enclosure made of light metal

Series 8265 flameproof enclosure
NEC®/CE Code

STAHL

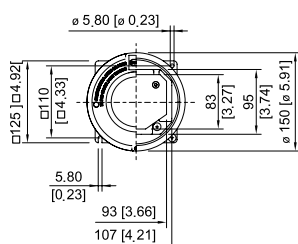
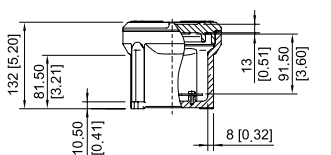
Accessories

Figure	Description	Product Type	Art. No.	Weight lb	
Cover with sight glass					
	Enclosure: 8265/61-0020 Visible cut-out in the sight glass dia. 56 mm [2.2 inch]	Cover 8265 Sz1 NEC w/ window	211039	2.2	
	Enclosure: 8265/62-0020 Visible cut-out in the sight glass dia. 98 mm [3.86 inch]	Cover 8265 Sz 2 NEC w/ window	143454	5.8	
	Enclosure: 8265/63-0020 Visible cut-out in the sight glass dia. 136 mm [5.35 inch]	Cover 8265 Sz 3 NEC w/ window	143455	4.92	
	Enclosure: 8265/64-0020 Visible cut-out in the sight glass dia. 180 mm [7.08 inch]	Cover 8265 Sz 4 NEC w/ window	143456	8.5	
	Enclosure: 8265/65-0020 Visible cut-out in the sight glass dia. 188 mm [7.4 inch]	Cover 8265 Sz 5 NEC w/ window	211043	2.2	
	Enclosure: 8265/66-0020 Visible cut-out in the sight glass dia. 188 mm [7.4 inch]	Cover 8265 Sz 6 NEC w/ window	201890	2.2	
Mounting rail					
	G32 length: 133 mm [5.24 inch] for size 3 enclosure	8146	137939	0.04	
	G32 length: 189 mm [7.44 inch] for size 4 enclosure	8146	137945	0.29	
	G32 length: 280 mm [11.02 inch] for size 6 enclosure	8265	166450	0.44	
	TS35 length: 80 mm [3.15 inch] for size 1 enclosure	8265	212424	0.06	
	TS35 length: 105 mm [4.13 inch] for size 2 enclosure	8265	143498	0.08	
	TS35 length: 133 mm [5.24 inch] for size 3 enclosure	8146	137970	0.09	
	TS35 length: 189 mm [7.44 inch] for size 4 enclosure	8146	137976	0.13	
	TS35 length: 218 mm [8.58 inch] for size 5 enclosure	8265	212426	0.07	
	TS35 length: 280 mm [11.02 inch] for size 6 enclosure	8265	166449	0.22	
		TS15 length: 80 mm [3.15 inch] for size 1 enclosure	8265	212425	0.03
		TS15 length: 105 mm [4.13 inch] for size 2 enclosure	8265	143497	0.04
TS15 length: 133 mm [5.24 inch] for size 3 enclosure		8146	137902	0.04	
TS15 length: 189 mm [7.44 inch] for size 4 enclosure		8146	137908	0.06	
TS15 length: 218 mm [8.58 inch] for size 5 enclosure		8265	212427	0.07	
TS15 length: 280 mm [11.02 inch] for size 6 enclosure		8265	166448	0.11	
Set screw					
	M5 x 16 mm, stainless steel Allen screw with point to secure the cover	hexagon socket set screw M5x16	110216	-	
Handle					
	to open the enclosure cover for size 1, 2, 3, 4 2 handles are required	Socket wrench 8225	142059	0.13	
	to open the enclosure cover for size 5, 6 2 handles are required	Handle 310-16-160-E-ZB	221927	0.47	

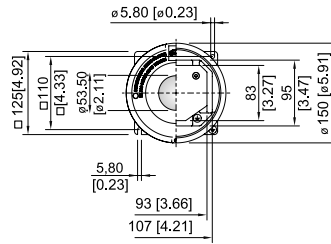
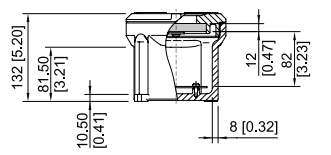
Spare Parts

Figure	Description	Product Type	Art. No.	Weight lb
O-ring				
	Silicone, for size 1 enclosure	O-Ring 125x3 FVMQ 70° Shore A Si771 FL	305498	0.01
	Silicone, for enclosure size 3	O-Ring 205x3,6 FVMQ 70° Shore A Si771 FL	305500	0.02
	Silicone, for size 4 enclosure	O-Ring 260x3,53 FVMQ 70° Shore A Si771FL	305631	0.03
	Silicone, for size 5 enclosure	O-Ring 310x4,5 FVMQ 70° Shore A Si771 FL	305632	0.04
	Silicone, for size 6 enclosure	O-Ring 370x5 FVMQ 70° Shore A Si771 FL	305633	0.06

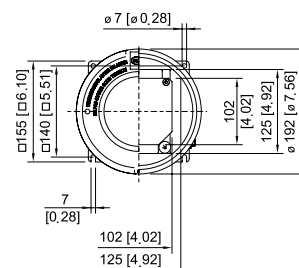
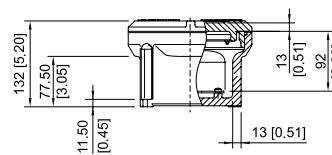
Dimensional Drawings (All Dimensions in mm [inches]) – Subject to Alterations



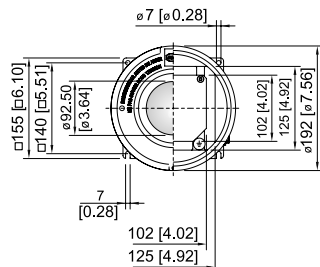
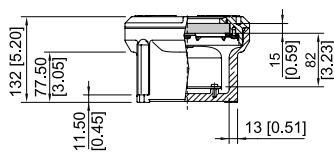
Enclosure size 1 without inspection window



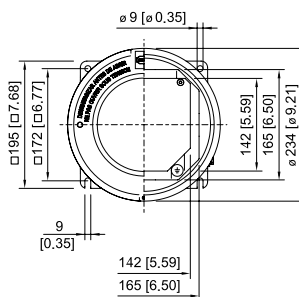
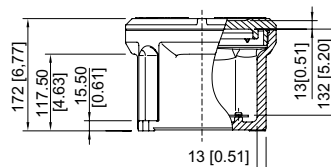
Enclosure size 1 with inspection window



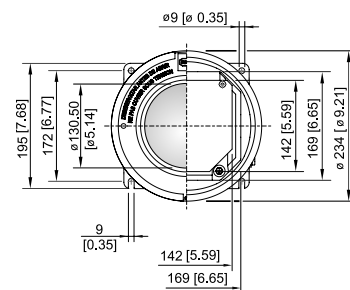
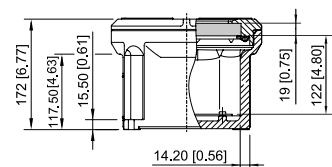
Enclosure size 2 without inspection window



Enclosure size 2 with inspection window



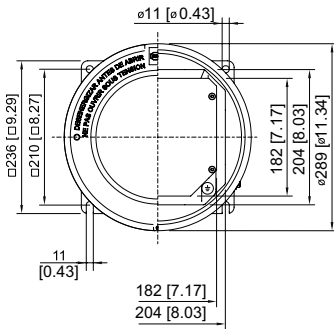
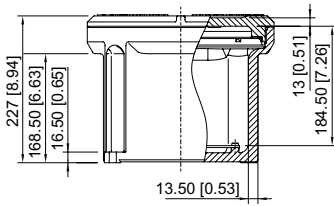
Enclosure size 3 without inspection window



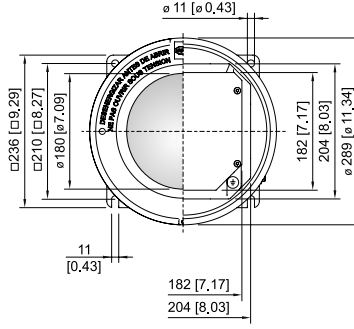
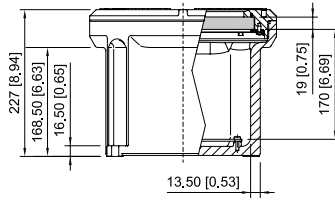
Enclosure size 3 with inspection window

Ex d enclosure made of light metal

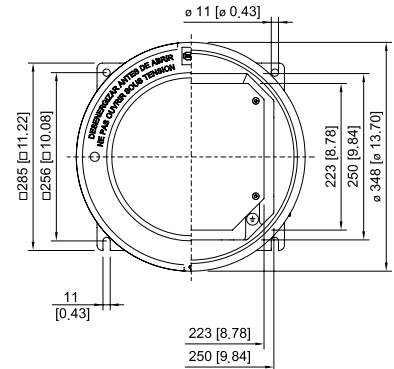
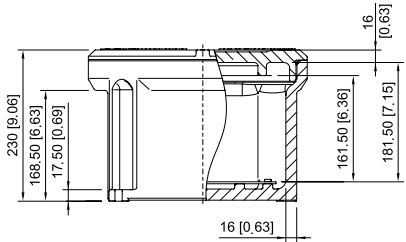
Series 8265 flameproof enclosure
NEC®/CE Code



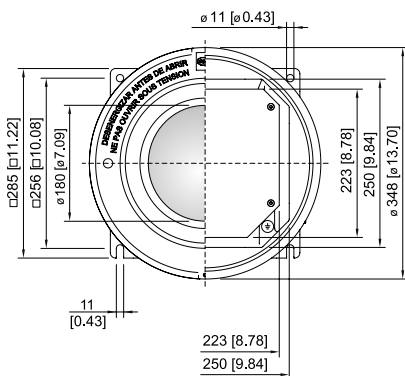
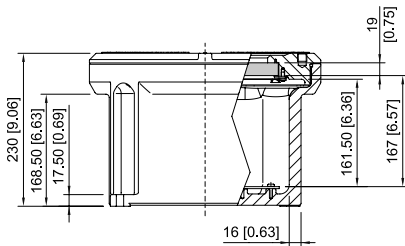
Enclosure size 4 without inspection window



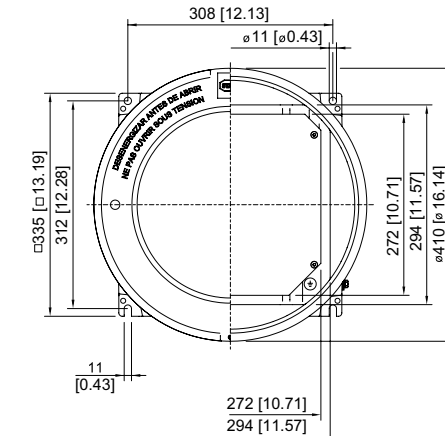
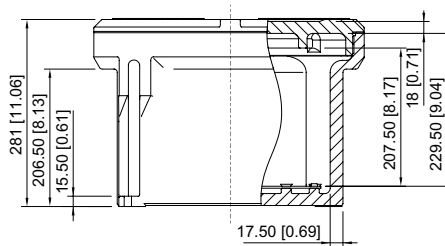
Enclosure size 4 with inspection window



Enclosure size 5 without inspection window



Enclosure size 5 with inspection window

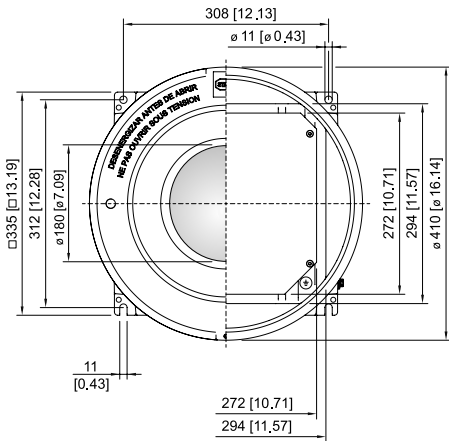
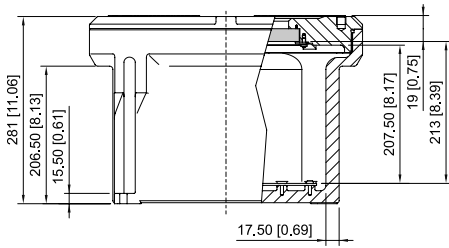


Enclosure size 6 without inspection window

Ex d enclosure made of light metal

Series 8265 flameproof enclosure
NEC®/CE Code

J



Enclosure size 6 with inspection window