



- Cost savings thanks to low weight and small installation area
- Easily adapted should there be any changes to an order
- More installation space thanks to a big installation volume
- More compact and more flexible machine and system design
- More control functions available
- Shorter planning and project turnaround times
- Low operating and maintenance costs
- Higher system availability and increased productivity

E3

MY R. STAHL 8280A



The new EXpressure technology safely dissipates explosion pressure in cabinets, control stations and other enclosures via flow channels. As a result, the lightweight and compact EXpressure enclosure, manufactured in accordance with industrial cabinet dimensions with a control panel made from industrial components, can be positioned as close as possible to the process for Zones 1 and 2.

	IECEX / ATEX					
Zone	0	1	2	20	21	22
Installation in		•	•			

Selection Table						
Material	Stainless steel					
Cover mounting	Screws					
Inner dimensions (WxHxD)	Hinge	volume		Product Type	Art. No.	Weight
1000 x 1400 x 700 mm	with	980 dm ³		8280/-62-2.11-2	264577	551 kg
1000 x 1400 x 700 mm	with	980 dm ³		8280/-62-2.21-2	267378	590 kg

Ex d cabinet with base plate, without built-in components

Technical Data	
Explosion Protection	
IECEX gas explosion protection	8280/0: Ex db sb IIB Gb 8280/5: Ex db eb ia [ia Ga] ib [ib Gb] mb op pr [op is] sb IIB T5...T3 Gb
ATEX gas explosion protection	8280/0: Ⓔ II 2 G Ex db sb IIB Gb 8280/5: Ⓔ II 2 G Ex db eb ia [ia Ga] ib [ib Gb] mb op pr [op is] IIB T5...T3 Gb
Certificates	ATEX (BVS), ATEX (PTB), IECEX (BVS), IECEX (PTB)
Notes	Product label may vary. Series devices are labelled with ATEX and IECEX.
Electrical Data	
Rated operational voltage AC	11 kV
Rated operational current	1250 A (T3)
Ambient Conditions	
Ambient temperature Ta	-40 °C ≤ Ta ≤ +60 °C
Mechanical Data	
Degree of protection (IP)	IP66
Cover seal	Silicone
Connection cross-section max.	300 mm ²
Protective conductor connection size	M6

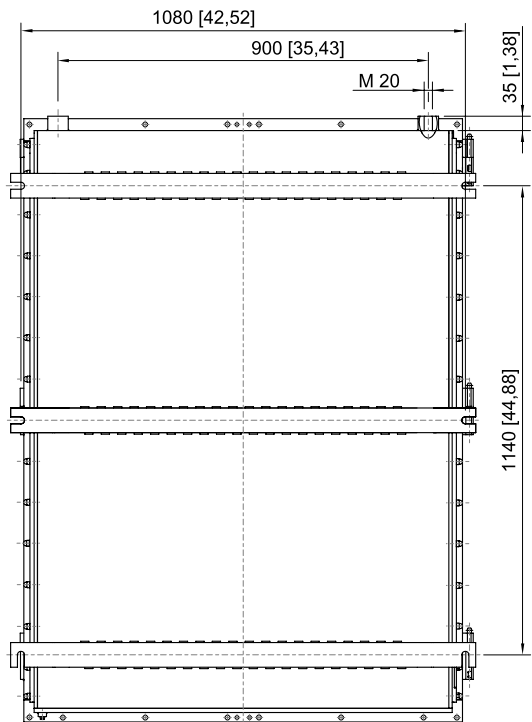
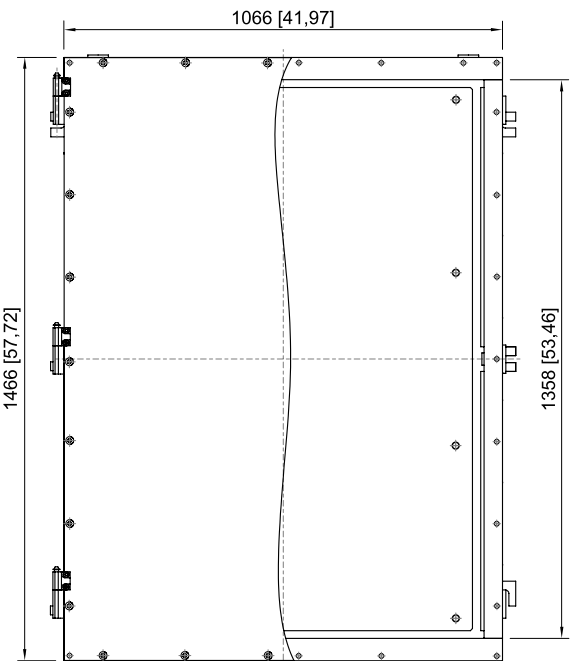
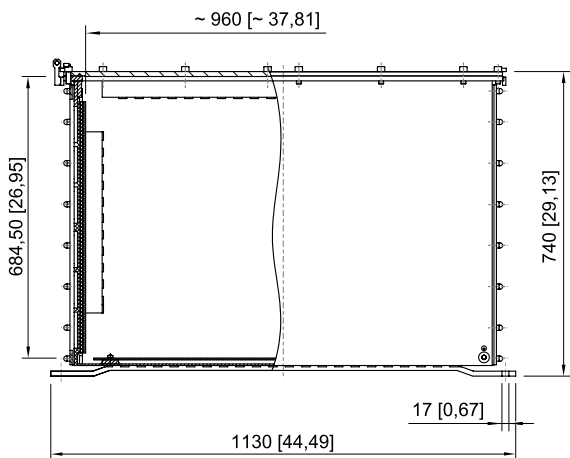
EXpressure Ex d cabinet/empty enclosure

Series 8280 Flameproof enclosure, made from stainless steel



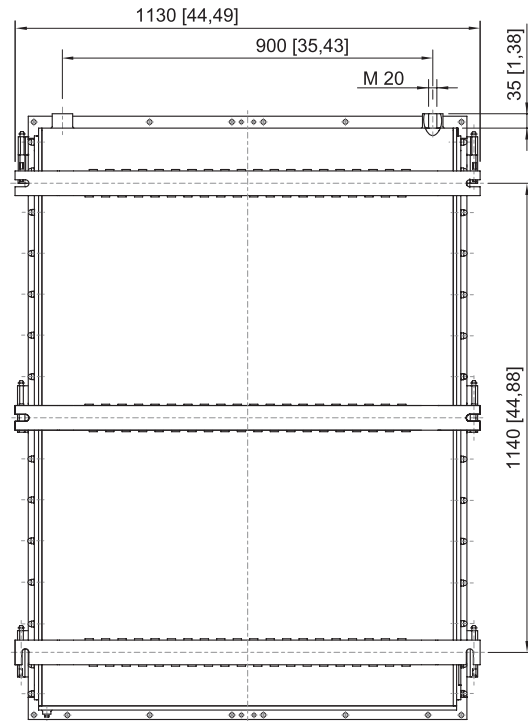
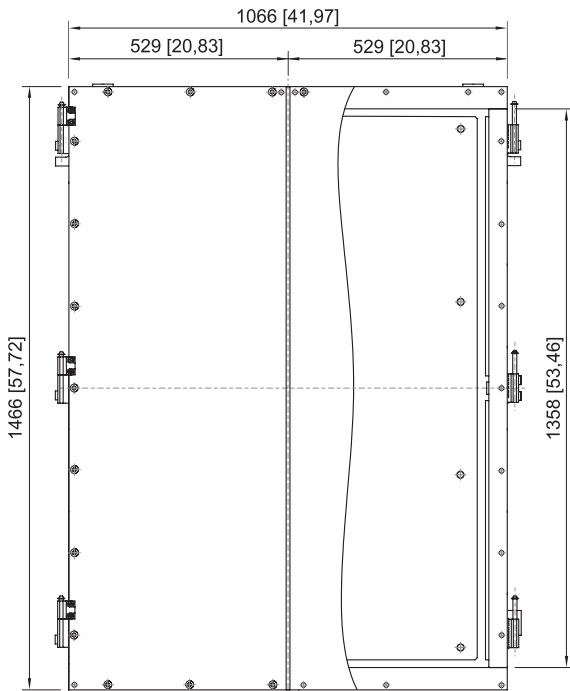
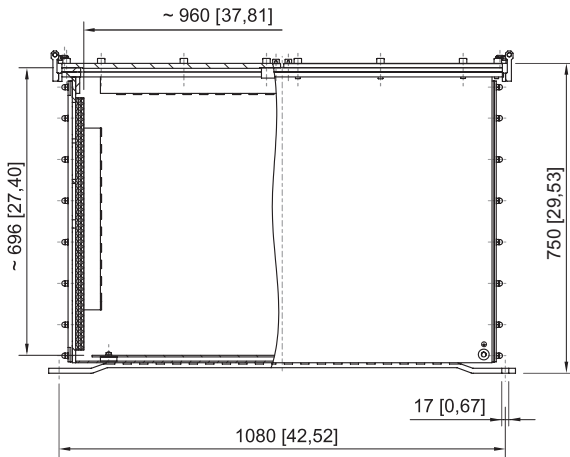
Dimensional Drawings (All Dimensions in mm [inches]) – Subject to Alterations

E3



Enclosure size 62
with one cover

E3



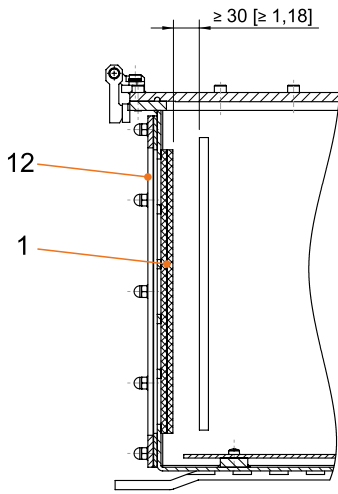
Enclosure size 62
 with two covers

EXpressure Ex d cabinet/empty enclosure

Series 8280 Flameproof enclosure, made from stainless steel

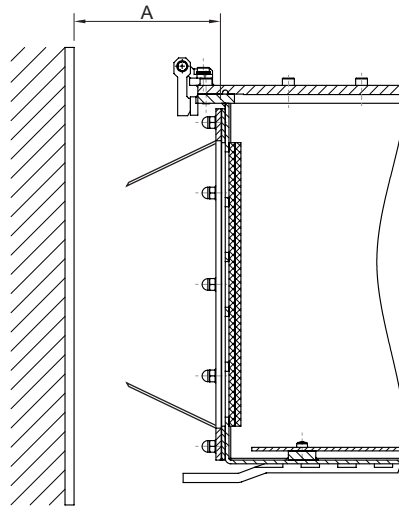


E3



Mounting distance (inner) to the grid

- 1 = grid
- 12 = rupture disc



D = mounting distance (outer) to other fixed objects

- Enclosure size 20: D = 134 mm [5.28]
- Enclosure size 31: D = 100 mm [3.94]
- Enclosure size 41: D = 162 mm [6.38]
- Enclosure size 62: D = 300 mm [11.81]