



- High availability: Reliable power contactors for switching and changeover of high AC1 currents
- Two main contact arrangements available: 4 NO or 2 NC and 2 NO
- Flexible: Thanks to modular technology, clear arrangement in the Ex e enclosure and can be flexibly extended
- Robust: Anti-vibration components in the corrosion-resistant enclosure

E9

## MY R. STAHL 8510U



R. STAHL Series 8510 contactors are robust standard components for switching AC1 loads at 40 A / 400 V. The AC-3 switching capacity for motors is 11 kW. Easily accessible terminals make installation simple and safe. The enclosure for the anti-vibration screw connection is made of corrosion-resistant material. Thanks to modular technology, clear arrangement in the Ex e enclosure and can be flexibly extended.

	IEEx / ATEX					
Zone	0	1	2	20	21	22
Installation in		•	•			

Selection Table					
Product description	Contactor				
Rated actuating voltage	Main contacts	Product Type	Art. No.	Weight	
24 to 60 V AC/DC	4-pole (2 NOs +2 NCs)	8510/132-03-555-710	270345	1.62 kg	
	4-pole (4 NO)	8510/132-03-545-710	270343	1.62 kg	
100 to 250 V AC/DC	4-pole (2 NOs +2 NCs)	8510/132-03-555-730	270346	1.62 kg	
	4-pole (4 NO)	8510/132-03-545-730	270344	1.62 kg	

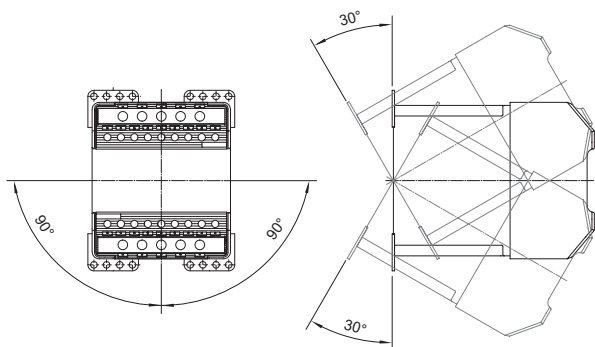
Technical Data	
Explosion Protection	
IEEx gas explosion protection	Ex de IIC
IEEx firedamp protection	Ex de I
ATEX gas explosion protection	Ⓔ II 2 G Ex de IIC
ATEX firedamp protection	Ⓔ I M2 Ex de I
Certificates	ATEX (BVS), Brazil (ULB), China (CQST), IECEX (BVS)
Declaration of conformity	Certificate of conformity (ATEX), China (CCC)
Electrical Data	
Switching capacity	40 A AC1
Conventional thermal current	40 A
Auxiliary contacts	2 (1 NO + 1 NC)
Ambient Conditions	
Ambient temperature	-20 °C ... +60 °C
Mechanical Data	
Degree of protection (IP)	IP20

### Technical Data

#### Mechanical Data

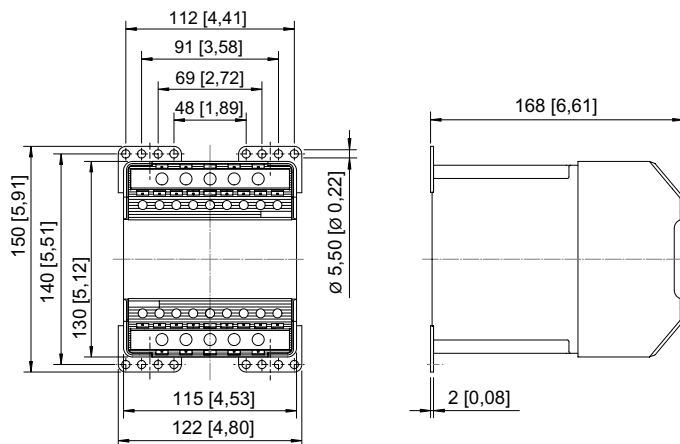
Enclosure material	Epoxy resin
Max. solid connection terminals	10 mm <sup>2</sup>
Max. finely stranded connection terminals	6 mm <sup>2</sup>
Max. AUXCON con. cr.-sec solid	2.5 mm <sup>2</sup>
Max. auxiliary contact connection cross section, finely stranded	1.5 mm <sup>2</sup>

### Technical Drawings – Subject to Alterations



Operating position (without power reduction)

### Dimensional Drawings (All Dimensions in mm [inches]) – Subject to Alterations



8510/132