

- Up to four relays possible
- Corrosion-resistant enclosure material

E9

MY R. STAHL 8510Z



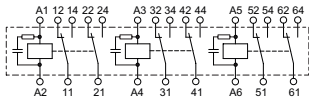
The R. STAHL Series 8510 relay is a type-tested standard component and can contain up to four relays. It can be screwed into Ex e enclosures so that it is protected against vibrations, while easily accessible connection terminals simplify installation.

	IECEX / ATEX					
Zone	0	1	2	20	21	22
Installation in		•	•			

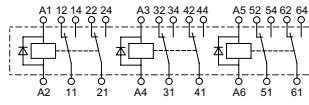
Selection Table				
Version		With freewheeling diode		
Rated actuating voltage		Product Type	Art. No.	Weight
24 V DC		8510/131-02-102-224	221962	1 kg
Version		With RC element		
Rated actuating voltage		Product Type	Art. No.	Weight
110 to 120 V AC		8510/131-02-108-063	211808	1 kg
220 to 240 V AC		8510/131-02-102-073	221947	1 kg

Technical Data	
Explosion Protection	
IECEX gas explosion protection	Ex db eb IIC
IECEX firedamp protection	Ex de I
ATEX firedamp protection	Ⓜ I M2 Ex de I
Certificates	Brazil (ULB), China (CQST), IECEX (BVS)
Ambient Conditions	
Ambient temperature	-20 °C ... 60 °C
Mechanical Data	
Degree of protection (IP)	IP20
Enclosure material	Epoxy resin
Number of relays	3
Number of relay contacts	2 change-over contacts per

Technical Drawings – Subject to Alterations

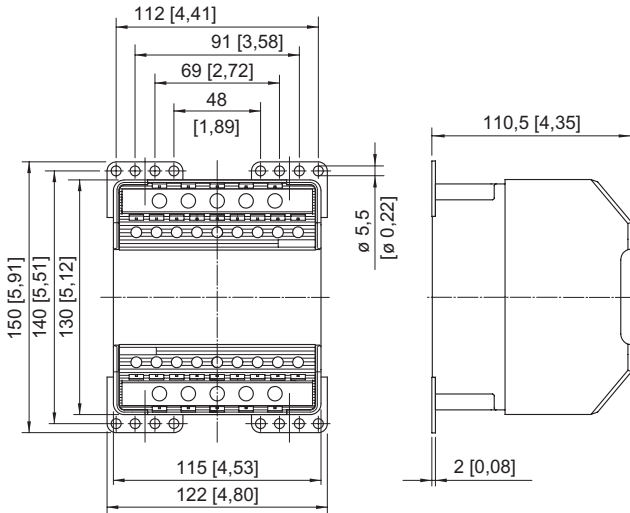


8510/131-02-102-0..



8510/131-02-102-2..

Dimensional Drawings (All Dimensions in mm [inches]) – Subject to Alterations



8510/131