



- Non-adjustable thermal and magnetic releases
- Isolating function in accordance with EN 60947-2
- Energy limiting class 3

E9

## MY R. STAHL 8562B



R. STAHL Series 8562 miniature circuit breakers boast good current limiting for short circuits and a high switching capacity of 6 or 10 kA. This results in a low load on conductors and a high selectivity for upstream fuses. The components have a modular design and are therefore available in 1- to 4-pole versions and for nominal currents from 0.5 to 40 A.

	IECEx / ATEX					
Zone	0	1	2	20	21	22
Installation in		•	•			

Selection Table										
IECEx gas explosion protection ATEX gas explosion protection			Ex de IIC T4 Gb ⊕ II 2 G Ex de IIC T4 Gb							
Rated operational current	No. of poles	Auxiliary contacts	Auxiliary contacts 2	N-pole present	Rated operational voltage AC	DC rated operational voltage	Tripping characteristic	Product Type	Art. No.	Weight
40 A	2	–	–	No	400 V	110 V	C	8562/52-2040-400	214945	1.2 kg
	3	–	–	No	400 V	–	C	8562/53-3040-400	215055	1.5 kg
	4	–	–	Yes	400 V	–	C	8562/54-4040-400	215089	1.8 kg
IECEx gas explosion protection ATEX gas explosion protection			Ex de IIC T5 Gb ⊕ II 2 G Ex de IIC T5 Gb							
Rated operational current	No. of poles	Auxiliary contacts	Auxiliary contacts 2	N-pole present	Rated operational voltage AC	DC rated operational voltage	Tripping characteristic	Product Type	Art. No.	Weight
6 A	1	1 change-over contact	–	No	230 V	48 V	B	8562/52-1024-060	283344	1.2 kg
10 A	3	1 change-over contact	–	No	400 V	–	C	8562/54-3045-100	289679	1.8 kg
		2 change-over contacts	–	No	400 V	–	C	8562/54-3046-100	278048	–

Selection Table

IECEX gas explosion protection ATEX gas explosion protection		Ex de IIC T5 Gb Ⓜ II 2 G Ex de IIC T5 Gb			Rated operation- al voltage AC	DC rated operational voltage	Tripping characteristic	Product Type	Art. No.	Weight	
Rated operational current	No. of poles	Auxiliary contacts	Auxiliary contacts 2	N-pole present							
16 A	1	-	-	No	230 V	48 V	B	8562/51-1020-160	214662	800 g	
		-	-	No	230 V	48 V	C	8562/51-1040-160	214841	800 g	
	2	1 change-over contact	-	-	No	230 V	48 V	B	8562/52-1024-160	214846	1.2 kg
			-	-	No	400 V	110 V	B	8562/52-2020-160	149749	1.2 kg
		-	-	No	400 V	110 V	C	8562/52-2040-160	149788	1.2 kg	
		-	-	Yes	230 V	-	B	8562/52-5020-160	214863	1.2 kg	
		-	-	Yes	230 V	-	C	8562/52-5040-160	149847	1.2 kg	
		1 change-over contact	-	No	400 V	110 V	C	8562/53-2045-160	214947	1.5 kg	
		1 change-over contact	-	Yes	230 V	-	B	8562/53-5025-160	214865	1.5 kg	
		1 change-over contact	-	Yes	230 V	-	C	8562/53-5045-160	214885	1.5 kg	
		3	-	-	No	400 V	-	B	8562/53-3020-160	149752	1.5 kg
			-	-	No	400 V	-	C	8562/53-3040-160	215052	1.5 kg
	1 change-over contact		-	No	400 V	-	B	8562/54-3024-160	215043	1.8 kg	
	1 change-over contact		-	No	400 V	-	C	8562/54-3045-160	215057	1.8 kg	
	2 change-over contacts		-	No	400 V	-	C	8562/54-3046-160	283141	1.8 kg	
	4		-	-	Yes	400 V	-	B	8562/54-4020-160	215078	1.8 kg
		1 change-over contact	-	Yes	400 V	-	B	8562/54-4025-160	214977	1.8 kg	
		-	-	Yes	400 V	-	C	8562/54-4040-160	215086	1.8 kg	
		1 change-over contact	-	Yes	400 V	-	C	8562/54-4045-160	215092	1.8 kg	
	20 A	1	-	-	No	230 V	48 V	C	8562/51-1040-200	214842	800 g
2			-	-	No	400 V	110 V	B	8562/52-2020-200	214930	1.2 kg
		-	-	No	400 V	110 V	C	8562/52-2040-200	214942	1.2 kg	
		-	-	Yes	230 V	-	B	8562/52-5020-200	214864	1.2 kg	
		-	-	Yes	230 V	-	C	8562/52-5040-200	214874	1.5 kg	
		3	-	-	No	400 V	-	C	8562/53-3040-200	215053	1.5 kg
1 change-over contact			-	No	400 V	-	C	8562/54-3045-200	289411	1.8 kg	
4			-	-	Yes	400 V	-	C	8562/54-4040-200	215087	1.8 kg
		1 change-over contact	-	Yes	400 V	-	C	8562/54-4045-200	215093	1.8 kg	

Selection Table										
IECEx gas explosion protection ATEX gas explosion protection			Ex de IIC T5 Gb Ⓜ II 2 G Ex de IIC T5 Gb							
Rated operational current	No. of poles	Auxiliary contacts	Auxiliary contacts 2	N-pole present	Rated operational voltage AC	DC rated operational voltage	Tripping characteristic	Product Type	Art. No.	Weight
25 A	2	–	–	No	400 V	110 V	B	8562/52-2020-250	214931	1.2 kg
		–	–	No	400 V	110 V	C	8562/52-2040-250	214943	1.2 kg
		–	–	Yes	230 V	–	C	8562/52-5040-250	214875	1.5 kg
		1 change-over contact	–	Yes	230 V	–	C	8562/53-5045-250	214887	1.5 kg
	3	–	–	No	400 V	–	C	8562/53-3040-250	215054	1.5 kg
		1 change-over contact	–	No	400 V	–	C	8562/54-3045-250	215058	1.8 kg
		2 change-over contacts	–	No	400 V	–	C	8562/54-3046-250	283050	1.8 kg
	4	1 change-over contact	–	Yes	400 V	–	C	8562/54-4045-250	215094	1.8 kg
		–	–	No	400 V	110 V	C	8562/52-2040-320	214944	1.2 kg
	32 A	2	–	–	Yes	230 V	–	C	8562/52-5040-320	214876
1 change-over contact			–	No	400 V	110 V	C	8562/53-2045-320	278042	-
1 change-over contact			–	Yes	230 V	–	C	8562/53-5045-320	214888	1.5 kg
–			–	No	400 V	–	C	8562/53-3040-320	149797	1.5 kg
3		2 change-over contacts	–	No	400 V	–	C	8562/54-3046-320	278049	-
		–	–	Yes	400 V	–	B	8562/54-4020-320	214976	1.8 kg
4		–	–	Yes	400 V	–	C	8562/54-4040-320	149761	1.8 kg
		1 change-over contact	–	Yes	400 V	–	C	8562/54-4045-320	215095	1.8 kg
		2 change-over contacts	–	No	400 V	–	C	8562/54-3046-320	283049	1.8 kg
		–	–	No	400 V	–	C	8562/52-2040-005	214935	1.2 kg
0.5 A	2	–	–	No	400 V	110 V	C	8562/52-2040-005	214935	1.2 kg
1 A	1	–	–	No	230 V	48 V	C	8562/51-1040-010	214774	800 g
	2	–	–	No	400 V	110 V	C	8562/52-2040-010	214936	1.2 kg
		–	–	Yes	230 V	–	C	8562/52-5040-010	214867	1.2 kg

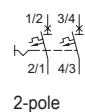
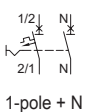
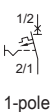
Selection Table

IECEx gas explosion protection ATEX gas explosion protection		Ex de IIC T6 Gb Ⓜ II 2 G Ex de IIC T6 Gb								
Rated operational current	No. of poles	Auxiliary contacts	Auxiliary contacts 2	N-pole present	Rated operational voltage AC	DC rated operational voltage	Tripping characteristic	Product Type	Art. No.	Weight
2 A	1	-	-	No	230 V	48 V	C	8562/51-1040-020	214775	800 g
		-	-	No	400 V	110 V	C	8562/52-2040-020	214937	1.2 kg
	1 change-over contact	-	-	Yes	230 V	-	C	8562/52-5040-020	214868	1.2 kg
		-	-	No	400 V	110 V	C	8562/53-2044-020	214948	1.5 kg
		-	-	Yes	230 V	-	C	8562/53-5045-020	214879	1.5 kg
	3	-	-	No	400 V	-	C	8562/53-3040-020	215046	1.5 kg
3 A	1	-	-	No	230 V	48 V	C	8562/51-1040-030	214776	800 g
		-	-	No	400 V	110 V	C	8562/52-2040-030	214938	1.2 kg
4 A	1	-	-	No	230 V	48 V	C	8562/51-1040-040	214777	800 g
		1 change-over contact	-	No	230 V	48 V	C	8562/52-1045-040	214847	1.2 kg
	2	-	-	No	400 V	110 V	C	8562/52-2040-040	214939	1.2 kg
		-	-	Yes	230 V	-	C	8562/52-5040-040	214870	1.2 kg
6 A	1	-	-	No	230 V	48 V	B	8562/51-1020-060	214659	800 g
		-	-	No	230 V	48 V	C	8562/51-1040-060	214778	800 g
		1 change-over contact	-	No	230 V	48 V	C	8562/52-1044-060	283269	1.2 kg
		1 change-over contact	-	No	230 V	48 V	C	8562/52-1045-060	288338	1.2 kg
	2	-	-	No	400 V	110 V	B	8562/52-2020-060	214927	1.5 kg
		-	-	No	400 V	110 V	C	8562/52-2040-060	214940	1.2 kg
		-	-	Yes	230 V	-	B	8562/52-5020-060	149814	1.2 kg
		-	-	Yes	230 V	-	C	8562/52-5040-060	214871	1.2 kg
		1 change-over contact	-	No	400 V	110 V	B	8562/53-2024-060	214934	1.5 kg
	3	1 change-over contact	-	No	400 V	110 V	C	8562/53-2045-060	214946	1.5 kg
			-	Yes	230 V	-	C	8562/53-5045-060	214882	1.5 kg
		1 change-over contact	-	No	400 V	-	C	8562/53-3040-060	215049	1.5 kg
		1 change-over contact Error signal	-	No	400 V	-	C	8562/54-3046-060	215059	1.8 kg
4	-	-	Yes	400 V	-	C	8562/54-4040-060	215083	1.8 kg	

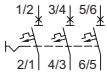
Selection Table										
IECEx gas explosion protection ATEX gas explosion protection			Ex de IIC T6 Gb Ⓔ II 2 G Ex de IIC T6 Gb							
Rated operational current	No. of poles	Auxiliary contacts	Auxiliary contacts 2	N-pole present	Rated operational voltage AC	DC rated operational voltage	Tripping characteristic	Product Type	Art. No.	Weight
10 A	1	–	–	No	230 V	48 V	B	8562/51-1020-100	214660	800 g
		–	–	No	230 V	48 V	C	8562/51-1040-100	214779	800 g
		1 change-over contact	–	No	230 V	48 V	C	8562/52-1045-100	214848	1.2 kg
	2	–	–	No	400 V	110 V	B	8562/52-2020-100	214928	1.2 kg
		–	–	No	400 V	110 V	C	8562/52-2040-100	149783	1.2 kg
		–	–	Yes	230 V	–	B	8562/52-5020-100	149819	1.2 kg
		–	–	Yes	230 V	–	C	8562/52-5040-100	214872	1.2 kg
		1 change-over contact	–	No	400 V	110 V	C	8562/53-2044-100	283866	1.5 kg
		1 change-over contact	–	Yes	230 V	–	C	8562/53-5045-100	214883	1.5 kg
		3	–	–	No	400 V	–	C	8562/53-3040-100	215050
	1 change-over contact		–	No	400 V	–	C	8562/54-3044-100	215060	1.8 kg
	4	–	–	Yes	400 V	–	C	8562/54-4040-100	215084	1.8 kg
		1 change-over contact	–	Yes	400 V	–	C	8562/54-4045-100	215091	1.8 kg
		2 change-over contacts	–	Yes	400 V	–	C	8562/54-4046-100	215074	1.8 kg
25 A	4	–	–	Yes	400 V	–	C	8562/54-4040-250	215088	1.8 kg

Technical Data	
Explosion Protection	
IECEx firedamp protection	Ex de I Mb
ATEX firedamp protection	Ⓔ I M2 Ex de I Mb
Certificates	ATEX (PTB), Brazil (ULB), China (CQST), IECEx (PTB)
Electrical Data	
Type of voltage	AC/DC
Rated switching capacity	10 kA
Ambient Conditions	
Ambient temperature	-20 °C ... 60 °C
Mechanical Data	
Degree of protection (IP)	IP20
Enclosure material	Epoxy resin

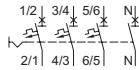
### Technical Drawings – Subject to Alterations



E9



3-pole



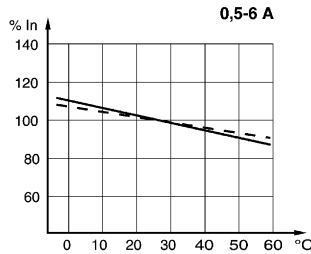
3-pole + N



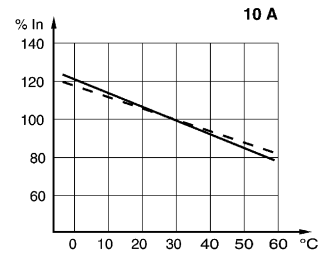
Fault signal contact 1 change-over contact for error signal (only for types 8562/54-2465-160-4 and 8562/54-2475-4: After the switch trips, the fault message contact can be reset manually)



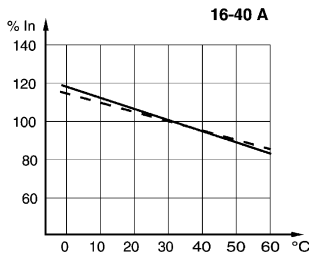
Auxiliary contact 1 change-over contact Fault signal contact 1 change-over contact



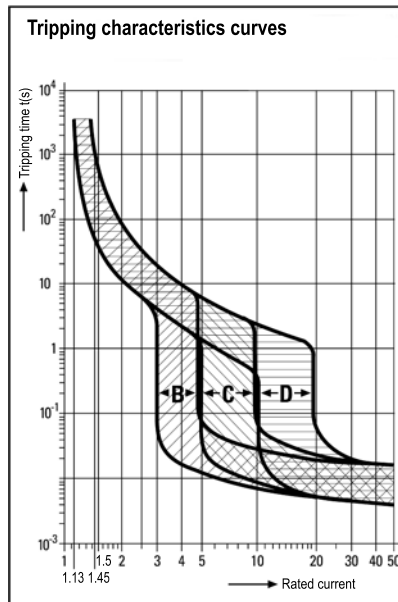
Correction factors for ambient temperatures which deviate from 30 °C



Correction factors for ambient temperatures which deviate from 30 °C



Correction factors for ambient temperatures which deviate from 30 °C

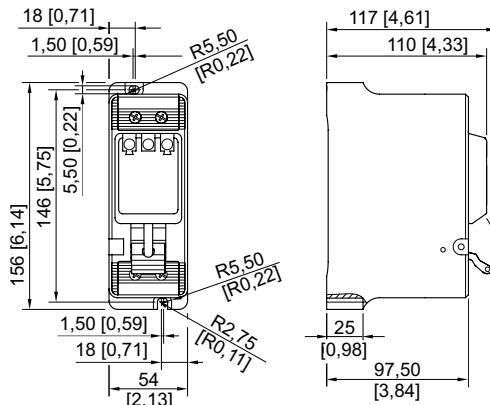


Auxiliary contact 1 change-over contacts

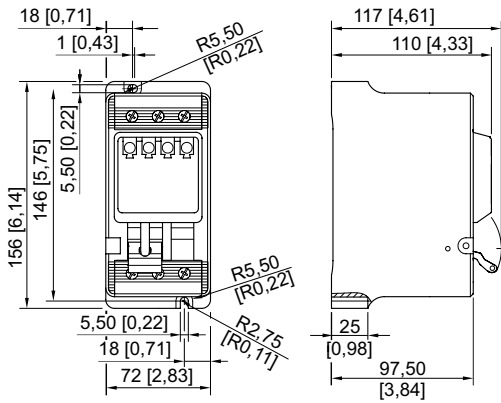
Dimensional Drawings (All Dimensions in mm [inches]) – Subject to Alterations



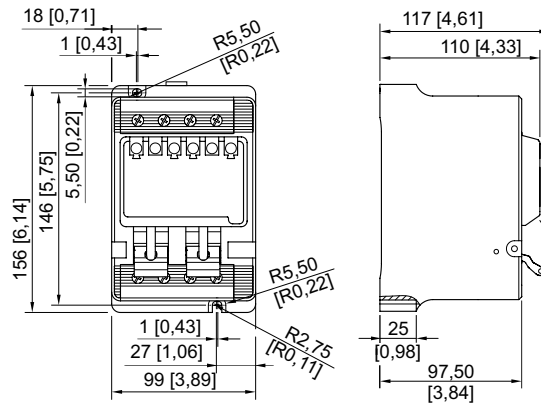
8562/51



8562/52



8562/53



8562/54