



- Different voltage ranges according to EN 60309
- Large temperature range of use
- Small dimensions for integration into machines and connection chambers
- High mechanical impact and shock resistance
- Perfect protection against penetration of liquids and dusts
- 3D data for download on the website
- Appropriate Series 8570/22 plug

E3

## MY R. STAHL 8570W



R. STAHL Series 8570/25 SolConeX flange sockets constitute incomplete equipment and are intended for installation in an enclosure with the following types of protection: "eb" or "tb".

When installed in an enclosure, they are approved for use in hazardous areas that are classified for the zone or division according to NEC 505.

Self-cleaning lamellar contacts provide optimum contact and the plugs can be inserted and removed in the zero position quickly and easily. The load disconnect switch, with a mechanical locking device and a handle that can be locked in the 0 or I position, is an additional safety feature.

Thanks to the compact design, the flange socket can be integrated into nearly all enclosures and, with the internal locking device, ensures fast and safe connection of devices.

	IECEX / ATEX					
<b>Zone</b>	0	1	2	20	21	22
<b>Installation in</b>		•	•		•	•

	NEC® 500 CE Code Appendix J					
	Class I		Class II		Class III	
<b>Division</b>	1	2	1	2	1	2
<b>Installation in</b>		•	•	•	•	•

	CE Code Section 18					
	NEC® 505			NEC® 506		
	Class I					
<b>Zone</b>	0	1	2	20	21	22
<b>Installation in</b>		•	•		•	•

Selection Table									
Product description									
20 A flange socket Flange socket									
Figure	Detailed number of poles	Coding (clock hour position)	Rated operational voltage	Colour code	Frequency range	Nominal power	Product Type	Art. No.	Weight
	2-pole, 3 conductors	4	100 ... 130 V AC	Yellow	50 / 60 Hz	1.5 hp	8570/25-304-S-XX-X-00-XXX	290140	700 g
		6	200 ... 250 V AC	Blue	50 / 60 Hz	3 hp	8570/25-306-S-XX-X-00-XXX	290181	700 g
		7	480 V AC	Red	50 / 60 Hz	5 hp	8570/25-307-S-XX-X-00-XXX	290182	700 g
	3-pole, 4 conductors	5	600 V AC	Black	50 / 60 Hz	15 hp	8570/25-405-S-XX-X-00-XXX	290137	900 g
		7	480 V AC	Red	50 / 60 Hz	10 hp	8570/25-407-S-XX-X-00-XXX	290138	900 g
		9	200 ... 250 V AC	Blue	50 / 60 Hz	5 hp	8570/25-409-S-XX-X-00-XXX	290139	900 g
	4-pole, 5 conductors	5	347 to 400/600 V AC	Black	50 / 60 Hz	15 hp	8570/25-505-S-XX-X-00-XXX	290134	1 kg
		7	277/480 V AC	Red	50 / 60 Hz	10 hp	8570/25-507-S-XX-X-00-XXX	290135	1 kg
		9	120/208 ... 144/250 V AC	Blue	50 / 60 Hz	5 hp	8570/25-509-S-XX-X-00-XXX	290136	1 kg

**Technical Data**
**Explosion Protection**

Area of application	European Union (ATEX) Canada IECEX USA
FMus certificate	FM20US0118U
cFM certificate	FM20CA0058U
cFM certificate	FM20CA0058U
Marking FMus	Class I, Div. 2, Groups A,B,C,D; Class II, III, Div. 1, Groups E,F,G, Enclosure Type 3, 4, 4X Class I, Zone 1, AEx db eb IIC Gb; Zone 21, AEx tb IIIC Db
Marking cFM	Ex db eb IIC Gb; Class I, Div. 2, Groups A,B,C,D; Class II, III, Div. 1, Groups E,F,G, Enclosure Type 3, 4, 4X Ex tb IIIC Db
IECEX gas explosion protection	Ex db eb IIC Gb
IECEX dust explosion protection	Ex tb IIIC Db
ATEX gas explosion protection	⊕ II 2 G Ex db eb IIC Gb
ATEX dust explosion protection	⊕ II 2 D Ex tb IIIC Db
Certificates	ATEX (PTB), Brazil (ULB), Canada (FM), China (CQST), IECEX (PTB), Korea (KGS), USA (FM)
Ship approval	DNV

**Electrical Data**

Rated operational current	20 A
---------------------------	------

**Device Specific Data**

Back-up fuse with thermal protection	35 A gG
Back-up fuse without thermal protection	20 A gG

**Ambient Conditions**

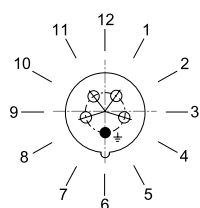
Ambient temperature	-58 °F to +149 °F
Ambient temperature	-50 °C to +65 °C
Notes	For further information, see the operating instructions.

**Mechanical Data**

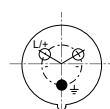
Enclosure type (NEMA250)	3, 4, 4X
IP degree of protection (IEC 60529)	IP66
IP degree of protection (IEC 60079)	IP64
Enclosure material	Polyamide, Glass fibre reinforced
Silicone-free	No
Connection cross-section AWG single stranded	1 x AWG 16 ... 2 x AWG 10
Solid connection cross-section	1 x 1.5 mm <sup>2</sup> ... 2 x 6 mm <sup>2</sup>
Finely stranded connection cross-section AWG	1 x AWG 16 ... 2 x AWG 12
Finely stranded connection cross-section	1 x 1.5 mm <sup>2</sup> ... 2 x 4 mm <sup>2</sup>
Impact strength (IEC 60079)	7 J
Impact strength (IEC 62262)	IK10
Lockable in	in 0- and I-position
Interlock	Prevents the plug from being pulled under load

**Arrangement of earth contact sleeves**

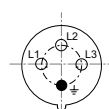
Position of clock hour position  
Example: 6 h position



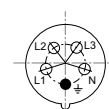
### Arrangement of socket contacts and terminal markings



2 P + PE



3 P + PE



3 P + N + PE

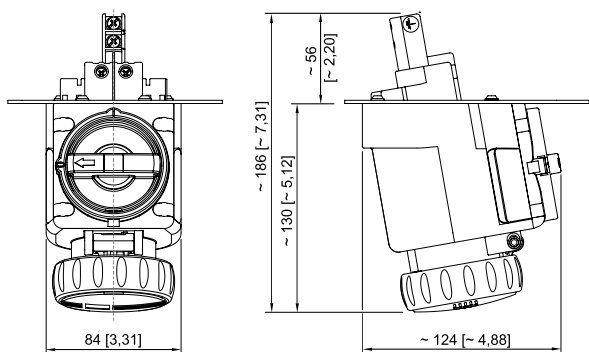
Arrangement of the socket contacts and terminal markings in the 6 h position  
(view from the front side of the sockets to the socket contacts)

Accessories		Art. No.	Weight
Auxiliary contact optional, pluggable by the user, easy to retrofit			
	1 NC Max. 500 V AC, max. 110 V DC Max. 6 A 1 x AWG 20 to 2 x AWG 14, 1 x 0.5 to 2 x 2.5 mm <sup>2</sup> , solid/finely stranded	150688	20 g
	1 NO Max. 500 V AC, max. 110 V DC Max. 6 A 1 x AWG 20 to 2 x AWG 14, 1 x 0.5 to 2 x 2.5 mm <sup>2</sup> , solid/finely stranded	150690	200 g
	1 NO, gold-plated contact Max. 500 V AC, max. 110 V DC Max. 6 A 1 x AWG 20 to 2 x AWG 14, 1 x 0.5 to 2 x 2.5 mm <sup>2</sup> , solid/finely stranded	150692	1 g
Dust cover for sockets, series 8570			
	Retrofittable dust protection for 3-pole sockets	253118	6 g
Dust cover for sockets, Series 8570			
	Retrofittable dust protection for 4-pole sockets	255003	8 g
Dust cover for sockets, series 8570			
	Retrofittable dust protection for 5-pole sockets	255004	8 g
Plug			
	8570/22-304-S-XX-X-XX-XXX plug, 2-pole, 3-wire, 100 to 130 V AC, 50/60 Hz, 20 A	291381	331 g
	8570/22-306-S-XX-X-XX-XXX plug, 2-pole, 3-wire, 200 to 250 V AC, 50/60 Hz, 20 A	291382	331 g
	8570/22-307-S-XX-X-XX-XXX plug, 2-pole, 3-wire, 480 V AC, 50/60 Hz, 20 A	291383	331 g
	8570/22-405-S-XX-X-XX-XXX plug, 3-pole, 4-wire, 600 V AC, 50/60 Hz, 20 A	291378	384 g
	8570/22-407-S-XX-X-XX-XXX plug, 3-pole, 4-wire, 480 V AC, 50/60 Hz, 20 A	291379	384 g
	8570/22-409-S-XX-X-XX-XXX plug, 3-pole, 4-wire, 200 to 250 V AC, 50/60 Hz, 20 A	291380	384 g
	8570/22-505-S-XX-X-XX-XXX plug, 4-pole, 5-wire, 347 to 400/600 V AC, 50/60 Hz, 20 A	291375	444 g
	8570/22-507-S-XX-X-XX-XXX plug, 4-pole, 5-wire, 277/480 V AC, 50/60 Hz, 20 A	291376	444 g
	8570/22-509-S-XX-X-XX-XXX plug, 4-pole, 5-wire, 120/208 to 144/250 V AC, 50/60 Hz, 20 A	291377	444 g

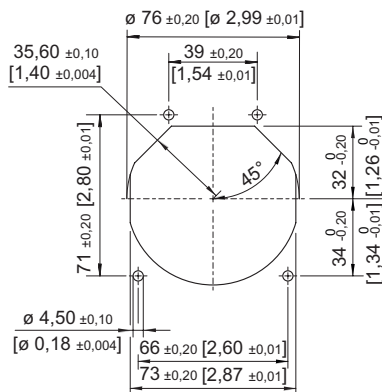
Spare Parts

Figure	Description	Art. No.	Weight
Repair set for Series 8570 sockets			
	Repair set 8570 hinged cover, 3-pole, blue	274116	95 g
	Repair set 8570 hinged cover, 3-pole, red	274118	95 g
	Repair set 8570 hinged cover, 3-pole, yellow	274117	95 g
	Repair set 8570 hinged cover, 4-pole, black	274114	115 g
	Repair set 8570 hinged cover, 4-pole, blue	274111	115 g
	Repair set 8570 hinged cover, 4-pole, red	274113	115 g
	Repair set 8570 hinged cover, 5-pole, black	274109	125 g
	Repair set 8570 hinged cover, 5-pole, blue	274106	125 g
	Repair set 8570 hinged cover, 5-pole, red	274108	125 g

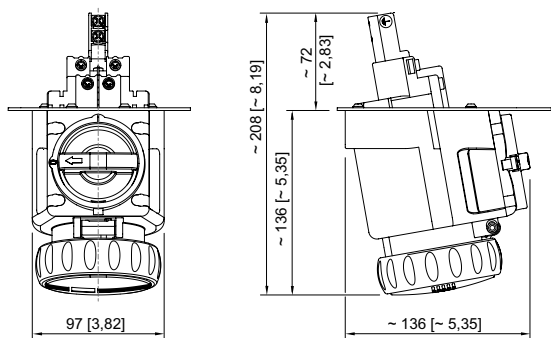
Dimensional Drawings (All Dimensions in mm [inches]) – Subject to Alterations



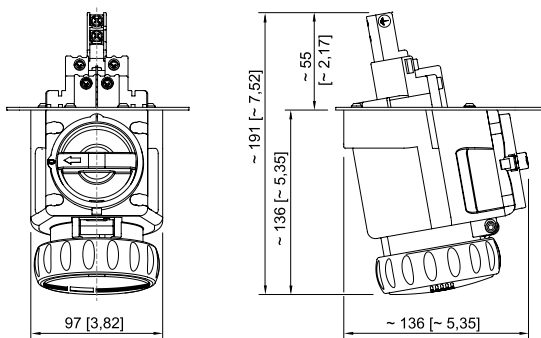
3-pole flange socket



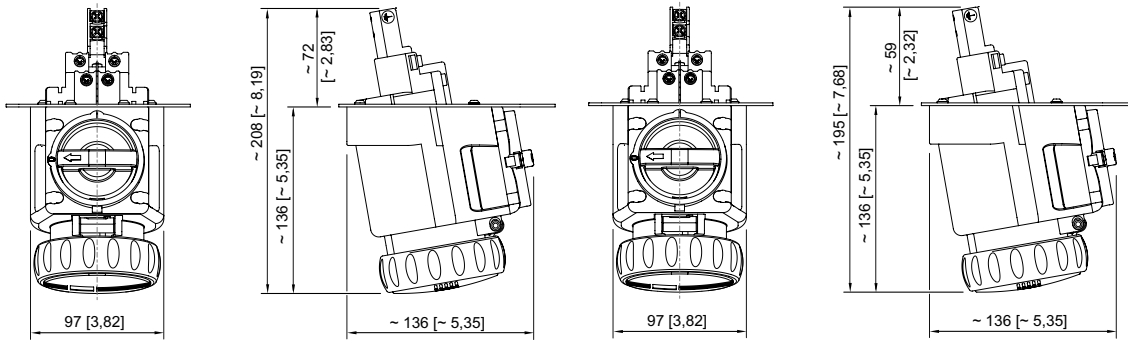
3-pole flange socket  
Opening figure



4-pole flange socket  
Clock hour position 5 h, 6 h, 7 h

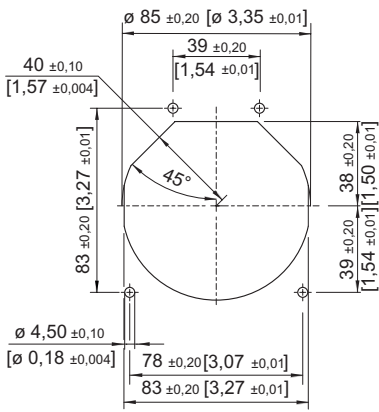


4-pole flange socket  
Clock hour position 9 h, 10 h, 11 h



5-pole flange socket  
Clock hour position 5 h, 6 h, 7 h

5-pole flange socket  
Clock hour position 9 h, 10 h, 11 h



4-/5-pole flange socket  
Opening figure