



- Different voltage ranges according to EN 60309
- Large temperature range of use
- Small dimensions for integration into machines and connection chambers
- High mechanical impact and shock resistance
- Perfect protection against penetration of liquids and dusts
- 3D data for download on the website
- Appropriate Series 8571/22 plug

E3

MY R. STAHL 8571W



R. STAHL Series 8571/25 SolConeX flange sockets constitute incomplete equipment and are intended for installation in an enclosure with the following types of protection: "eb" or "tb".

When installed in an enclosure, they are approved for use in hazardous areas that are classified for the zone or division according to NEC 505.

Self-cleaning lamellar contacts provide optimum contact and the plugs can be inserted and removed in the zero position quickly and easily. The load disconnect switch, with a mechanical locking device and a handle that can be locked in the 0 or I position, is an additional safety feature.

Thanks to the compact design, the flange socket can be integrated into nearly all enclosures and, with the internal locking device, ensures fast and safe connection of devices.

| | IECEX / ATEX | | | | | |
|------------------------|--------------|---|---|----|----|----|
| Zone | 0 | 1 | 2 | 20 | 21 | 22 |
| Installation in | | • | • | | • | • |

| | NEC® 500 CE Code Appendix J | | | | | |
|------------------------|--------------------------------|---|----------|---|-----------|---|
| | Class I | | Class II | | Class III | |
| Division | 1 | 2 | 1 | 2 | 1 | 2 |
| Installation in | | • | • | • | • | • |

| | CE Code Section 18 | | | | | |
|------------------------|--------------------|---|---|----------|----|----|
| | NEC® 505 | | | NEC® 506 | | |
| | Class I | | | | | |
| Zone | 0 | 1 | 2 | 20 | 21 | 22 |
| Installation in | | • | • | | • | • |

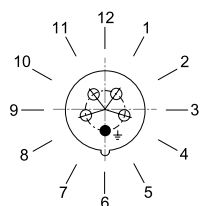
| Selection Table | | | | | | | | | |
|--|--------------------------|------------------------------|---------------------------|-------------|-----------------|---------------|---------------------------|----------|--------|
| Product description 30 A flange socket Flange socket | | | | | | | | | |
| Figure | Detailed number of poles | Coding (clock hour position) | Rated operational voltage | Colour code | Frequency range | Nominal power | Product Type | Art. No. | Weight |
| | 3-pole, 4 conductors | 5 | 600 V AC | Black | 50 / 60 Hz | 25 hp | 8571/25-405-S-XX-X-00-XXX | 294391 | 1.3 kg |
| | | 7 | 480 V AC | Red | 50 / 60 Hz | 20 hp | 8571/25-407-S-XX-X-00-XXX | 294392 | 1.3 kg |
| | | 9 | 200 ... 250 V AC | Blue | 50 / 60 Hz | 10 hp | 8571/25-409-S-XX-X-00-XXX | 294393 | 1.3 kg |
| | 4-pole, 5 conductors | 5 | 347 to 400/600 V AC | Black | 50 / 60 Hz | 25 hp | 8571/25-505-S-XX-X-00-XXX | 294388 | 1.5 kg |
| | | 7 | 277/480 V AC | Red | 50 / 60 Hz | 20 hp | 8571/25-507-S-XX-X-00-XXX | 294389 | 1.5 kg |
| | | 9 | 120/208 ... 144/250 V AC | Blue | 50 / 60 Hz | 10 hp | 8571/25-509-S-XX-X-00-XXX | 294390 | 1.5 kg |

| Technical Data | |
|----------------------|---|
| Explosion Protection | |
| Area of application | European Union (ATEX) Canada IECEX USA |
| FMus certificate | FM21US0072U |

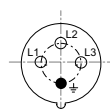
| Technical Data | |
|--|--|
| Explosion Protection | |
| cFM certificate | FM21CA0047U |
| cFM certificate | FM21CA0047U |
| Marking FMus | Class I, Div. 2, Groups A,B,C,D; Class II, III, Div. 1, Groups E,F,G, Enclosure Type 3, 4, 4X Class I, Zone 1, AEx db eb IIC Gb; Zone 21, AEx tb IIIC Db |
| Marking cFM | Ex db eb IIC Gb; Class I, Div. 2, Groups A,B,C,D; Class II, III, Div. 1, Groups E,F,G, Enclosure Type 3, 4, 4X Ex tb IIIC Db |
| IECEX gas explosion protection | Ex db eb IIC Gb |
| IECEX dust explosion protection | Ex tb IIIC Db |
| ATEX gas explosion protection | Ⓜ II 2 G Ex db eb IIC Gb |
| ATEX dust explosion protection | Ⓜ II 2 D Ex tb IIIC Db |
| Certificates | ATEX (PTB), Brazil (ULB), Canada (FM), IECEX (PTB), India (PESO), Korea (KGS), USA (FM) |
| Ship approval | DNV |
| Electrical Data | |
| Rated operational current | 30 A |
| Device Specific Data | |
| Back-up fuse with thermal protection | 63 A gG |
| Back-up fuse without thermal protection | 35 A gG |
| Ambient Conditions | |
| Ambient temperature | -58 °F to +149 °F |
| Ambient temperature | -50 °C to +65 °C |
| Notes | For further information, see the operating instructions. |
| Mechanical Data | |
| Enclosure type (NEMA250) | 3, 4, 4X |
| IP degree of protection (IEC 60529) | IP66 |
| IP degree of protection (IEC 60079) | IP64 |
| Enclosure material | Polyamide, Glass fibre reinforced |
| Silicone-free | No |
| Connection cross-section AWG single stranded | 1 x AWG 14 ... 2 x AWG 8 |
| Solid connection cross-section | 1 x 2.5 mm ² ... 2 x 10 mm ² |
| Finely stranded connection cross-section AWG | 1 x AWG 14 ... 2 x AWG 10 |
| Finely stranded connection cross-section | 1 x 2.5 mm ² ... 2 x 6 mm ² |
| Impact strength (IEC 60079) | 7 J |
| Impact strength (IEC 62262) | IK10 |
| Lockable in | in 0- and I-position |
| Interlock | Prevents the plug from being pulled under load |

Arrangement of earth contact sleeves

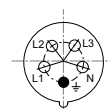
Position of clock hour position
Example: 6 h position



Arrangement of socket contacts and terminal markings



3 P + PE



3 P + N + PE

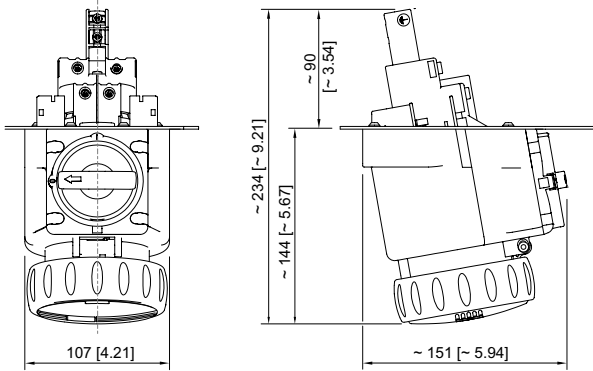
Arrangement of the socket contacts and terminal markings in the 6 h position
(view from the front side of the shrouded socket outlet to the socket contacts)

Accessories

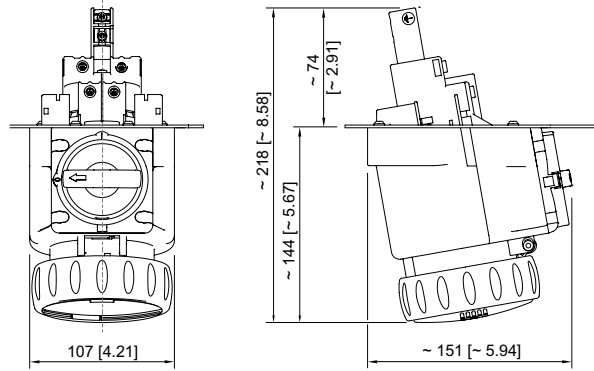
| Figure | Description | Art. No. | Weight |
|---|---|----------|--------|
| Auxiliary contact optional, pluggable by the user, easy to retrofit | | | |
| | 1 NC Max. 500 V AC, max. 110 V DC Max. 6 A 1 x AWG 20 to 2 x AWG 14, 1 x 0.5 to 2 x 2.5 mm ² , solid/finely stranded | 150688 | 20 g |
| | 1 NO Max. 500 V AC, max. 110 V DC Max. 6 A 1 x AWG 20 to 2 x AWG 14, 1 x 0.5 to 2 x 2.5 mm ² , solid/finely stranded | 150690 | 200 g |
| | 1 NO, gold-plated contact Max. 500 V AC, max. 110 V DC Max. 6 A 1 x AWG 20 to 2 x AWG 14, 1 x 0.5 to 2 x 2.5 mm ² , solid/finely stranded | 150692 | 1 g |
| Dust cover for sockets, Series 8571 | | | |
| | Retrofittable dust protection for 4-pole sockets | 255005 | 9 g |
| Dust cover for sockets, series 8571 | | | |
| | Retrofittable dust protection for 5-pole sockets | 253117 | 9 g |
| Plug | | | |
| | 8571/22-405-S-XX-X-XX-XXX plug, 3-pole, 4-wire, 600 V AC, 50/60 Hz, 30 A | 294405 | 500 g |
| | 8571/22-407-S-XX-X-XX-XXX plug, 3-pole, 4-wire, 480 V AC, 50/60 Hz, 30 A | 294406 | 500 g |
| | 8571/22-409-S-XX-X-XX-XXX plug, 3-pole, 4-wire, 200 to 250 V AC, 50/60 Hz, 30 A | 294407 | 500 g |
| | 8571/22-505-S-XX-X-XX-XXX plug, 4-pole, 5-wire, 347 to 400/600 V AC, 50/60 Hz, 30 A | 294402 | 600 g |
| | 8571/22-507-S-XX-X-XX-XXX plug, 4-pole, 5-wire, 277/480 V AC, 50/60 Hz, 30 A | 294403 | 600 g |
| | 8571/22-509-S-XX-X-XX-XXX plug, 4-pole, 5-wire, 120/208 to 144/250 V AC, 50/60 Hz, 30 A | 294404 | 600 g |

Spare Parts

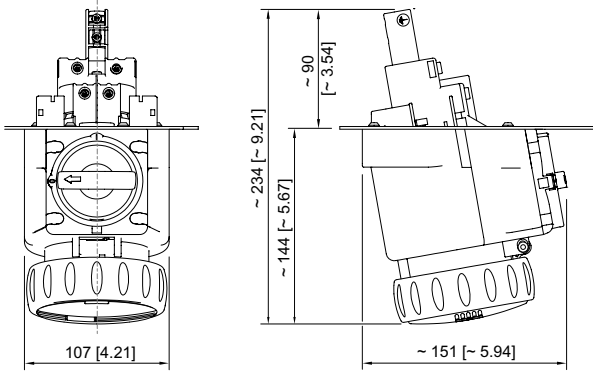
| Figure | Description | Art. No. | Weight |
|------------------------------------|---|----------|--------|
| Repair set for Series 8571 sockets | | | |
| | Repair set 8571 hinged cover, 4-pole, black | 275505 | 165 g |
| | Repair set 8571 hinged cover, 4-pole, blue | 275502 | 165 g |
| | Repair set 8571 hinged cover, 4-pole, red | 275504 | 165 g |
| | Repair set 8571 hinged cover, 5-pole, black | 275490 | 170 g |
| | Repair set 8571 hinged cover, 5-pole, blue | 275487 | 170 g |
| | Repair set 8571 hinged cover, 5-pole, red | 275489 | 170 g |



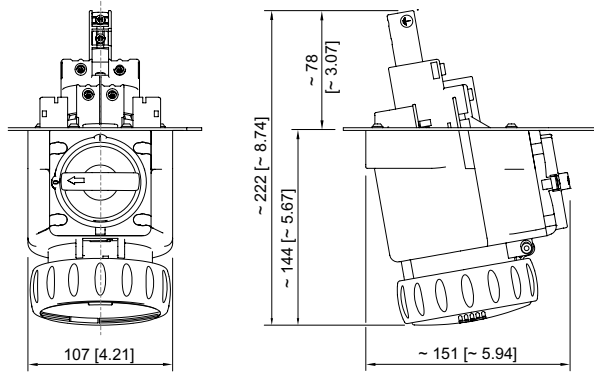
4-pole flange socket
Clock hour position 5 h, 6 h, 7 h



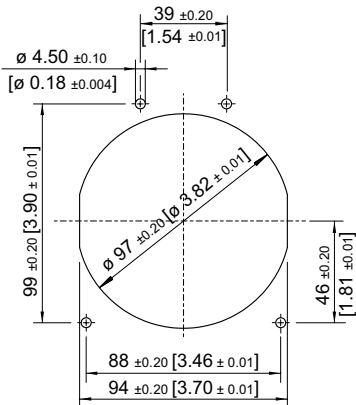
4-pole flange socket
Clock hour position 9 h, 10 h, 11 h



5-pole flange socket
Clock hour position 5 h, 6 h, 7 h



5-pole flange socket
Clock hour position 9 h, 10 h, 11 h



Opening figure