



- Reliable load disconnect switch with easily visible, lockable handle and display of the switching position
- An integrated auxiliary contact for control and signalling purposes, can be optionally enhanced using pluggable Ex e or Ex i auxiliary contacts that are easily retrofittable
- Large temperature range of use
- High mechanical impact and shock resistance
- Perfect protection against penetration of liquids and dusts
- 3D data for download on the website

E3

MY R. STAHL 8579A



The R. STAHL Series 8579/31 sockets for Zone 1/21 in 4- and 5-pole versions have full AC-3 switching capacity up to 63 A. The high degree of protection (IP66) ensures maximum protection against the ingress of dust and water in any application situation. Self-cleaning lamellar contacts provide optimum contact and the plugs can be inserted and removed in the zero position quickly and easily. The load disconnect switch, with a mechanical locking device and a handle that can be locked in the 0 or I position, is an additional safety feature.

	IECEX / ATEX					
Zone	0	1	2	20	21	22
Installation in		•	•		•	•

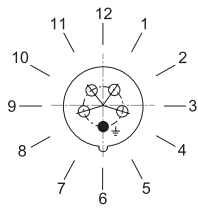
Selection Table								
Product description		63 A wall-mounting socket						
Auxiliary contacts		2 (1 NO + 1 NC)						
Figure	Detailed number of poles	Coding (clock hour position)	Rated operational voltage AC	Colour code	Frequency range	Product Type	Art. No.	Weight
	3 P + N + PE	5	347/600 ... 400/690 V AC	Black	50 / 60 Hz	8579/31-505	270899	8.2 kg
		6	200/346 ... 240/415 V AC	Red	50 / 60 Hz	8579/31-506	270900	8.2 kg
		7	277/480 ... 288/500 V AC	Black	50 / 60 Hz	8579/31-507	270901	8.2 kg
		9	120/208 ... 144/250 V AC	Blue	50 / 60 Hz	8579/31-509	270902	8.2 kg
		11	250/440 ... 265/460 V AC	Red	60 Hz	8579/31-511	270903	8.2 kg
	3 P + PE	5	600 ... 690 V AC	Black	50 / 60 Hz	8579/31-405	270904	7.8 kg
		6	380 ... 415 V AC	Red	50 / 60 Hz	8579/31-406	270905	7.8 kg
		7	480 ... 500 V AC	Black	50 / 60 Hz	8579/31-407	270906	7.8 kg
		9	200 ... 250 V AC	Blue	50 / 60 Hz	8579/31-409	270907	7.8 kg
		11	440 ... 460 V AC	Red	60 Hz	8579/31-411	270908	7.8 kg

Technical Data	
Explosion Protection	
Area of application	European Union (ATEX) IECEX China (CQST)

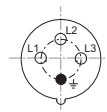
Technical Data	
Explosion Protection	
Area of application Note	Other country markings available on request
IECEX gas explosion protection	Ex db eb IIC T6 ... T5 Gb
IECEX dust explosion protection	Ex tb IIIC T60 °C / T75 °C Db
ATEX gas explosion protection	Ⓜ II 2 G Ex db eb IIC T6 ... T5 Gb
ATEX dust explosion protection	Ⓜ II 2 D Ex tb IIIC T60 °C / T75 °C Db
Certificates	ATEX (PTB), Brazil (ULB), China (CQST), IECEX (PTB), Korea (KGS), Taiwan (ITRI)
Declaration of conformity	ATEX (EGK), China (CCC)
Electrical Data	
Rated operational current	max. 63 A
Switching capacity main contacts	AC-3 690 V, 63 A 18.5 kW: 220/230/240 V 30 kW: 380/400/415 V 37 kW: 500 V 55 kW: 690 V
Device Specific Data	
Back-up fuse with thermal protection	80 A gG
Back-up fuse without thermal protection	63 A gG
Ambient Conditions	
Ambient temperature	-45 °C to +55 °C
Ambient temperature	-49 °F to +131 °F
Notes	For further information, see the operating instructions.
Mechanical Data	
Degree of protection IP (IEC 60529)	IP66
IP degree of protection (IEC 60079)	IP66
Enclosure material	Polyester, Glass fibre reinforced
Silicone-free	No
Multiple conductor connection	2 x 16 mm ²
Finely stranded connection cross-section	1 x 16 mm ² ... 1 x 50 mm ²
Stranded connection cross-section	1 x 16 mm ² ... 1 x 50 mm ²
Impact strength (IEC 60079)	7 J
Impact strength (IEC 62262)	IK10
Lockable in	in 0- and I-position
Components	
Cable entry note	Entry 1: Bottom left Entry 2: Bottom right
Entry 1 model	8161/7-M50-3516-LT
Entry 1 type	Polyamide cable gland
Entry 1	M50 x 1.5
Entry 1 clamping range	16 – 35 mm
Metal entry possible 1	No
Entry 2 model	8290/3-M25
Entry 2 type	Polyamide stopping plug
Entry 2	M25 x 1.5
Metal entry possible 2	No
Notes	Cable gland position: Bottom (standard); optionally also on the top or side

Arrangement of earth contact sleeves

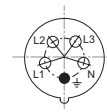
Position of clock hour position
Example: 6 h position



Arrangement of socket contacts and terminal markings



3 P + PE




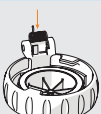
3 P + N + PE

Arrangement of the socket contacts and terminal markings in the 6 h position
(view from the front side of the sockets to the socket contacts)

Accessories

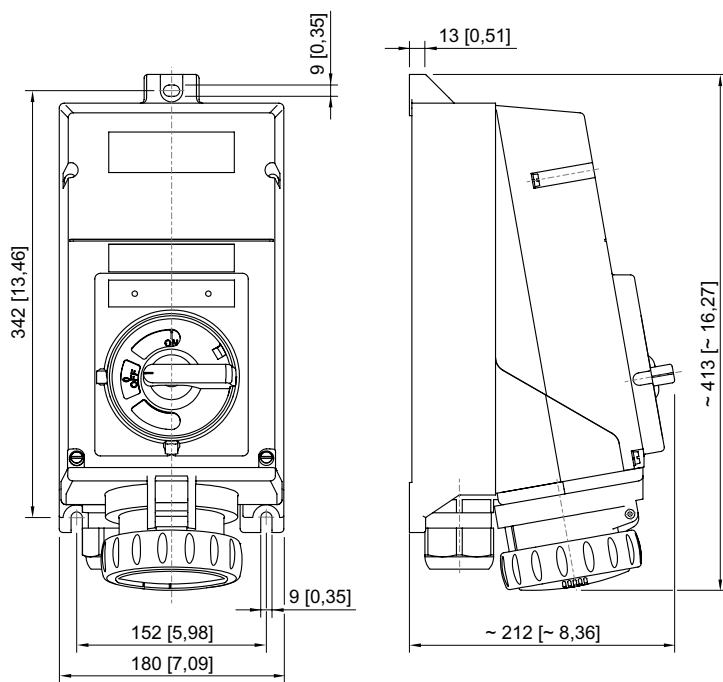
Figure	Description	Art. No.	Weight
Auxiliary contact			
	2 NC (8080/1-3) 250 V AC/DC Max. 6 A 1.5 to 2.5 mm ² , solid/finely stranded The switching function of the auxiliary contact depends on the installation slot used. Left and right: Synchronising	168356	26 g
	1 NC + 1 NO (8080/1-1) 250 V AC/DC Max. 6 A 1.5 to 2.5 mm ² , solid/finely stranded The switching function of the auxiliary contact depends on the installation slot used. Left: Delayed (ON), leading (OFF) Right: Synchronising	168351	26 g
	2 NO (8080/1-4) 250 V AC/DC Max. 6 A 1.5 to 2.5 mm ² , solid/finely stranded The switching function of the auxiliary contact depends on the installation slot used. Left and right: Synchronising	168353	26 g
Plastic cable gland			
	8161/7-M25-1707, Ex e Plastic, M25 x 1.5, cable outer diameter 7 to 17 mm Lot size 50 pieces	239157	19 g
Plug			
	8579/12-406 4-pole plug, 380 to 415 V AC, 50/60 Hz, 63 A	270915	880 g
	8579/12-411 4-pole plug, 440 to 460 V AC, 60 Hz, 63 A	270918	880 g
	8579/12-506 5-pole plug, 200/346 to 240/514 V AC, 50/60 Hz, 63 A	270910	940 g
	8579/12-511 5-pole plug, 250/440 to 265/460 V AC, 60 Hz, 63 A	270913	940 g
	8579/12-405 4-pole plug, 600 to 690 V AC, 50/60 Hz, 63 A	270914	880 g
	8579/12-407 4-pole plug, 480 to 500 V AC, 50/60 Hz, 63 A	270916	880 g
	8579/12-505 5-pole plug, 347/600 to 400/690 V AC, 50/60 Hz, 63 A	270909	940 g
	8579/12-507 5-pole plug, 277/480 to 288/500 V AC, 50/60 Hz, 63 A	270911	940 g
	8579/12-409 4-pole plug, 200 to 250 V AC, 50/60 Hz, 63 A	270917	880 g
	8579/12-509 5-pole plug, 120/208 to 144/250 V AC, 50/60 Hz, 63 A	270912	940 g
	Stopping plug		
	8290/3-M25 Plastic, M25 x 1.5 Lot size 1 piece	143524	10 g

Spare Parts

Figure	Description	Art. No.	Weight
Auxiliary contact key			
	For removing installed auxiliary contacts	201909	35 g
Repair set for Series 8579 sockets			
	Repair set 8579 hinged cover, black	275509	185 g
	Repair set 8579 hinged cover, blue	275507	185 g
	Repair set 8579 hinged cover, red	275508	185 g

Batch size: Purchase order quantity in [no. of units]; the delivery quantity is automatically rounded to the batch size.

Dimensional Drawings (All Dimensions in mm [inches]) – Subject to Alterations



Wall-mounting socket