



MY R. STAHL 8603A



	IECEX / ATEX					
Zone	0	1	2	20	21	22
Installation in		•	•		•	•

	CE Code Section 18					
	NEC <sup>®</sup> 505			NEC <sup>®</sup> 506		
	Class I					
Zone	0	1	2	20	21	22
Installation in		•	•		•	•

Selection Table

Product description	Calotte		Art. No.	Weight
Calotte size	Openings	Product Type		
95 x 95 mm	68 x 68 mm	8603A0028-31-0	155947	245 g
122 x 66 mm	44 x 100 mm	8603A0075-41-0	155952	125 g

Technical Data

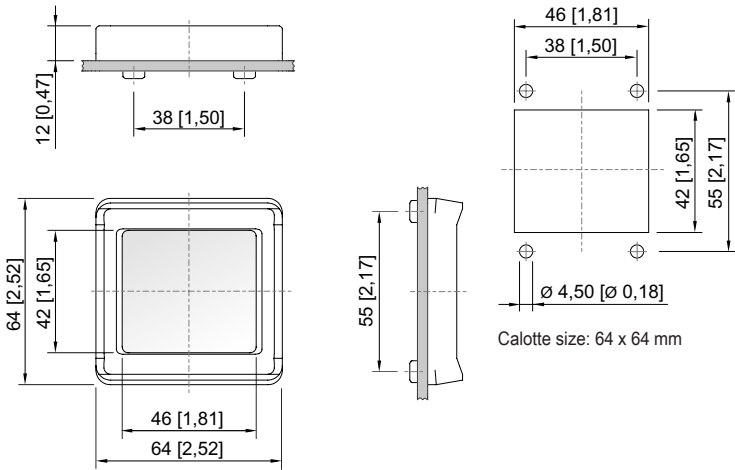
Explosion Protection	
Area of application	European Union (ATEX) IECEX Canada USA
IECEX gas explosion protection	Ex eb IIC Gb
IECEX dust explosion protection	Ex tb IIIC Db
ATEX gas explosion protection	Ⓔ II 2 G Ex eb IIC Gb
ATEX dust explosion protection	Ⓔ II 2 D Ex tb IIIC Db
Marking ULus	Class I, Zone 1, AEx eb IIC Gb Zone 21, AEx tb IIIC Db
Marking cUL	Class I, Zone 1, Ex eb IIC Gb Zone 21, Ex tb IIIC Db
Certificates	ATEX (PTB), Brazil (ULB), Canada / USA (UL), Canada (UL), China (CQST), IECEX (PTB)
Notes	Product label may vary. Series devices are labelled with ATEX and IECEX.
Ambient Conditions	
Ambient temperature	-60 °C ... 76 °C
Storage temperature	-60 °C ... 76 °C
Degree of pollution	3
Mechanical Data	
Degree of protection (IP)	IP66
Note on degree of protection	According to IEC/EN 60529
Enclosure type (UL50 & UL50E)	3, 4, 4X
Material	Glass polyamide

### Technical Data

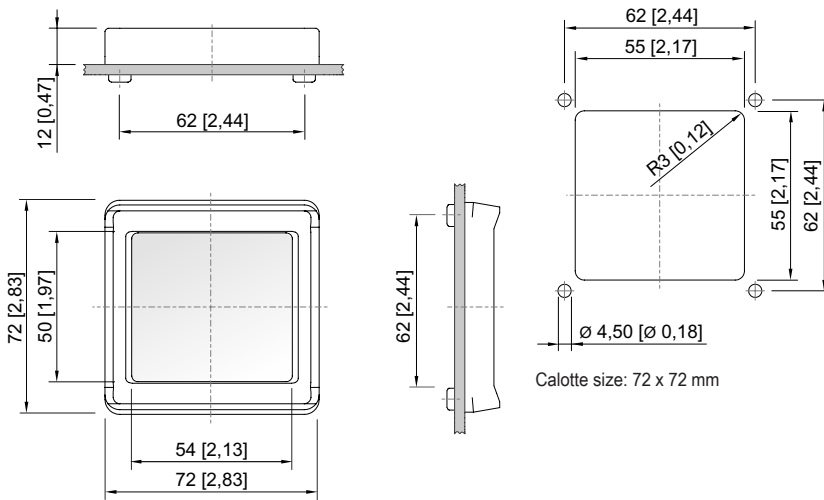
#### Mechanical Data

Silicone-free	Yes
Impact strength (IEC 60079)	7 J
Installation location	Outside
Seal	Neoprene
Packaging unit	1

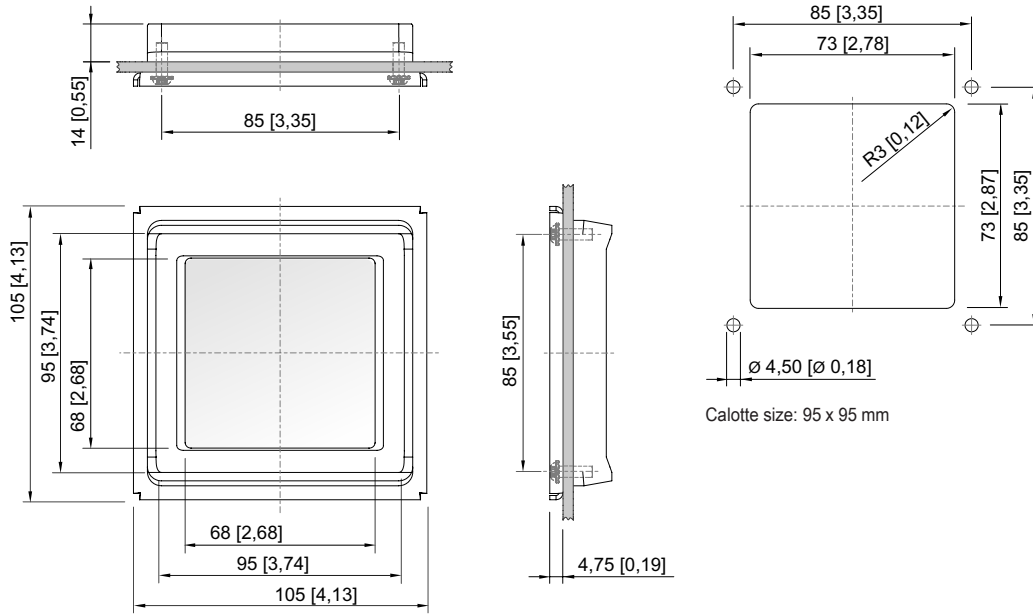
### Dimensional Drawings (All Dimensions in mm [inches]) – Subject to Alterations



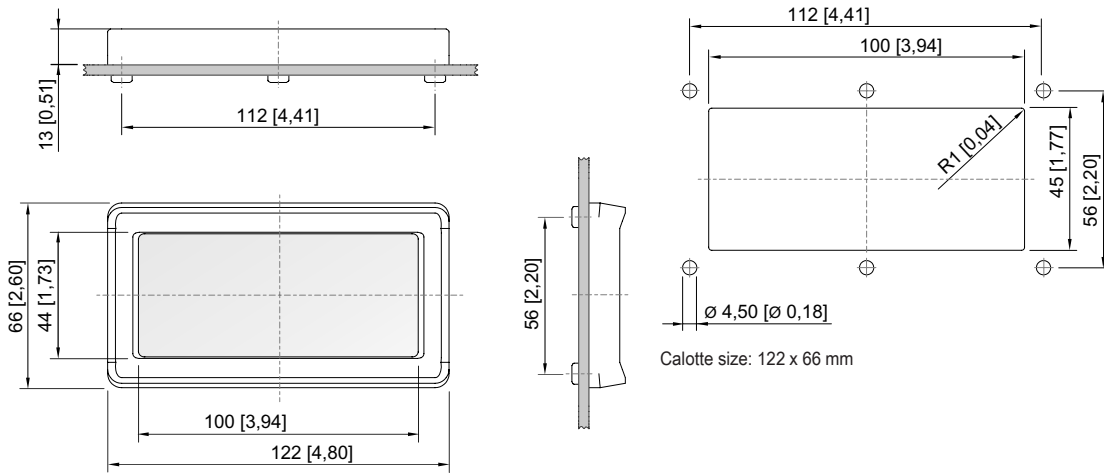
Calotte size: 64 x 64 mm



Calotte size: 72 x 72 mm



Calotte size: 95 x 95 mm



Calotte size: 122 x 66 mm