



- Full equipment certificate for use in Zone 1
- Automatic adaptation of the cooling capacity to different conditions using a thermal expansion valve to achieve a constant inside temperature
- Cooling capacity of 4 kW according to EN 14511 (L35/L35)
- Wide adjustment range from 18 °C to 35 °C
- Balanced design for direct surface mounting without additional support
- Plug and play – easy installation, no configuration required

E8

## MY R. STAHL 8701A



R. STAHL's ExSys Cool 8701 air conditioner offers the perfect cooling capacity for hazardous environments. The use of thermal expansion valve technology allows for constant automatic cooling with a wide range of temperature target values (18 °C to 35 °C). ExSys Cool is certified as equipment, meaning that it is approved for simple use in Ex p and Ex e solutions. The product has a wide ambient temperature range (depending on the refrigerant selected) from -40 °C to 55 °C and a cooling capacity from 4 kW to 6 kW according to EN 14511 (L35/L35). Predefined standard configurations are available as well as customer-specific solutions to meet the customer's HVAC requirements.

	IECEX / ATEX					
Zone	0	1	2	20	21	22
Installation in		•	•			

Selection Table							
Product variant		Zone 1/Ex p					
Rated operational current	Total power input	Evaporator Ex-rated	Ambient temperature	Ambient temperature	Product Type	Art. No.	Weight
7.5 A	1.7 kW	No	-20 °C ... 50 °C	-4 °F ... 122 °F	8701/01-1110-0200-04	327393	210 kg
9 A	2.1 kW	No	-40 °C ... 50 °C	-40 °F ... 122 °F	8701/01-1111-0200-04	327394	210 kg
Product variant		Zone 1/Non-Ex					
Rated operational current	Total power input	Evaporator Ex-rated	Ambient temperature	Ambient temperature	Product Type	Art. No.	Weight
7.5 A	1.7 kW	No	-20 °C ... 50 °C	-4 °F ... 122 °F	8701/01-1210-0200-04	327395	210 kg
9 A	2.1 kW	No	-40 °C ... 50 °C	-40 °F ... 122 °F	8701/01-1211-0200-04	327392	210 kg
Product variant		Zone 1/Zone 1					
Rated operational current	Total power input	Evaporator Ex-rated	Ambient temperature	Ambient temperature	Product Type	Art. No.	Weight
7.5 A	1.7 kW	Yes	-20 °C ... 50 °C	-4 °F ... 122 °F	8701/01-1010-0200-04	288611	260 kg
9 A	2.1 kW	Yes	-40 °C ... 50 °C	-40 °F ... 122 °F	8701/01-1011-0200-04	288539	260 kg

Technical Data	
Explosion Protection	
IECEX gas explosion protection	Ex db eb q ib IIB+H2 T4 Gb
ATEX gas explosion protection	Ⓜ II 2 G Ex db eb q ib IIB+H2 T4 Gb
Certificates	ATEX (DEK), IECEX (DEK)

## Technical Data

### Electrical Data

Rated operational voltage AC	220 ... 240 V
Frequency	50 Hz

### Climatic Data

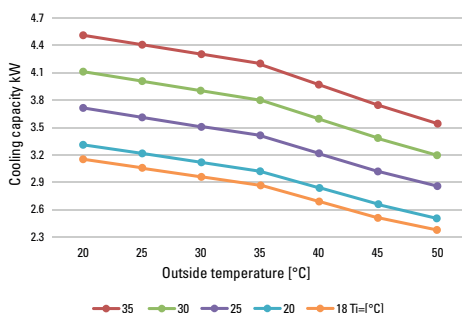
Air conditioning unit version	cooling only
CO2 equivalent	1146 kg
Cooling capacity acc. to EN 14511 (L35/ L35)	4.2 kW
Evaporation control	Thermostatic expansion valve
Max setpoint temperature	35 °C
Min setpoint temperature	18 °C
Refrigerant GWP	573
Refrigerant type	R513A

### Mechanical Data




Air conditioner enclosure	Stainless steel 1.4404, 316L, brush finished, Natural surface, Painted: No
Degree of protection (IP) (IEC 60529)	IP66

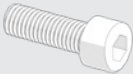
## Technical Drawings – Subject to Alterations

Performance chart 4 kW

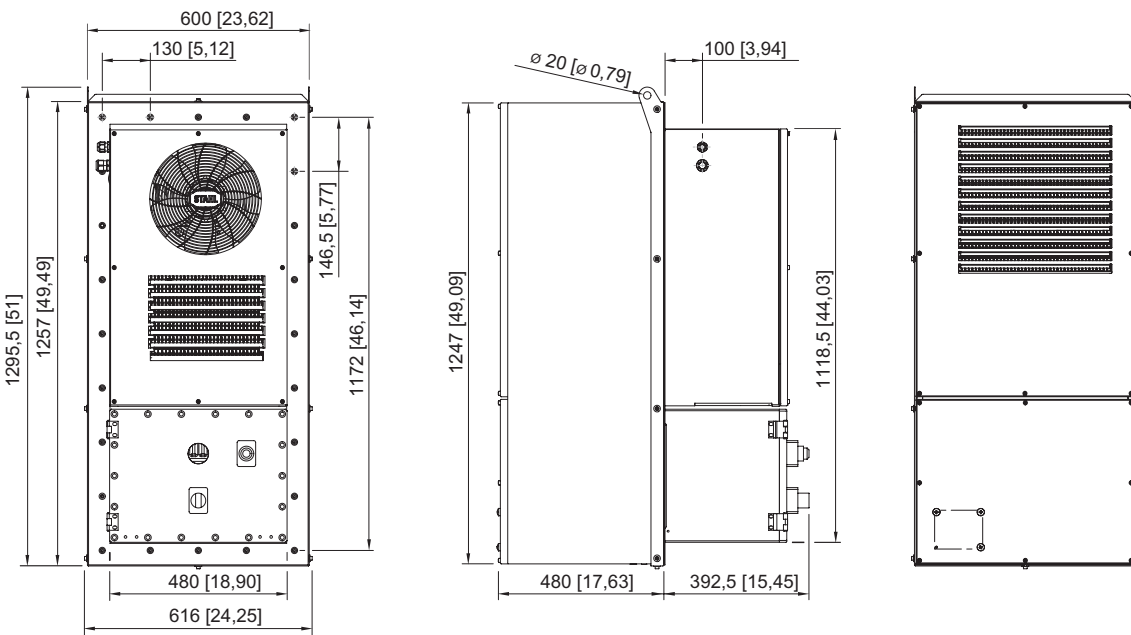


## Accessories

Figure	Description	Art. No.	Weight
<b>Plastic cable gland</b>			
	8161/7-M20-1304, Ex e plastic, M20 x 1.5, cable outer diameter 4 to 13 mm	229917	13 g
<b>Metal cable gland</b>			
	Ex d and Ex e cable glands for all types of unarmoured cables and cables with wire-braid armouring (nickel-plated brass) Type 20A2F, M20 x 1.5	243464	60 g
	Ex d and Ex e cable gland for all types of armoured cables (nickel-plated brass) Type E1FU M20 x 1.5	243484	210 g

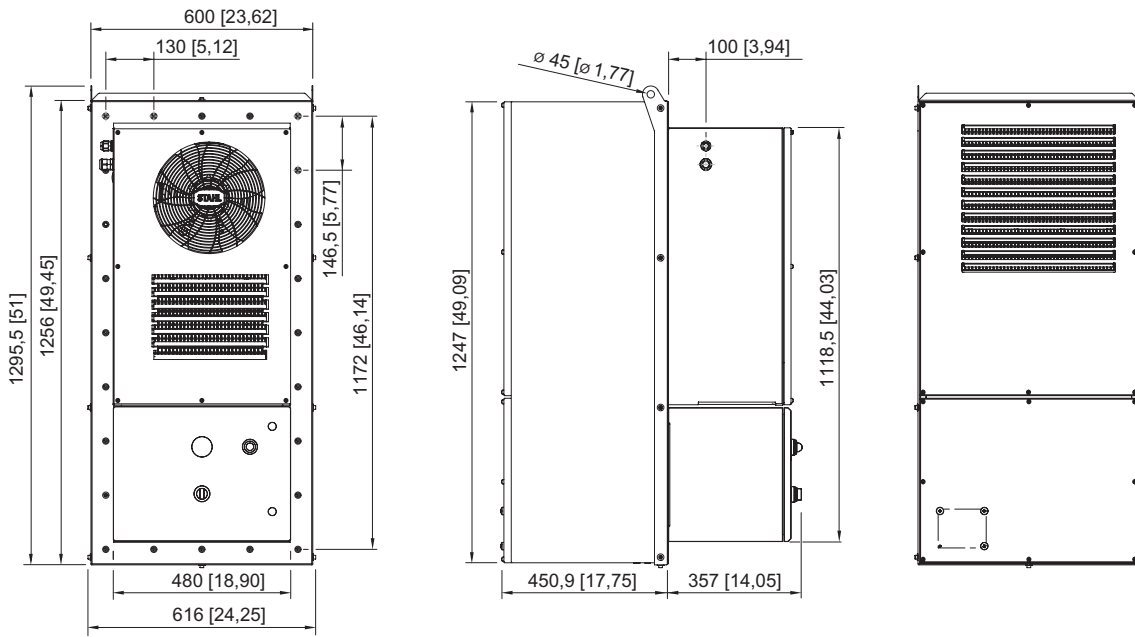
Accessories			
Figure	Description	Art. No.	Weight
Stopping plug			
	8290/3-M20 Plastic, M20 x 1.5 Lot size 1 piece	143522	7 g
	Stainless steel stopping plug M20x1.5 with hexagon insert bit	251101	79 g
Screw			
	Cheese-head screw M10 x 30 A4-70 1 piece	109972	27 g
Base plate seal 8701			
	Seal for base plate for wall mounting	321081	-

Dimensional Drawings (All Dimensions in mm [inches]) – Subject to Alterations



ExSys Cool 8701 Zone 1/Zone 1

E8



ExSys Cool 8701 Zone 1/non-Ex  
ExSys Cool 8701 Zone 1/Ex p