



- Simple, front-end parameterization
- Bit refresh function improves signal quality
- Adjustable transmission speeds of 1.2 kbit/s and 1.5 Mbit/s - automatic with PROFIBUS DP
- Intrinsically Safe field interface for RS-485

## MY R. STAHL 9185A



9185/11 series fieldbus isolating repeaters are the interface between intrinsically safe and non-intrinsically safe PROFIBUS DP segments, Modbus RTU segments and other similar fieldbus segments. These devices galvanically separate intrinsically safe bus interfaces (RS-422/RS-485) from non-intrinsically safe interfaces (RS-232, RS-422 or RS-485).

	NEC® 500 CE Code Appendix J					
	Class I		Class II		Class III	
Division	1	2	1	2	1	2
Ex interface	•	•	•	•	•	•
Installation in		•				

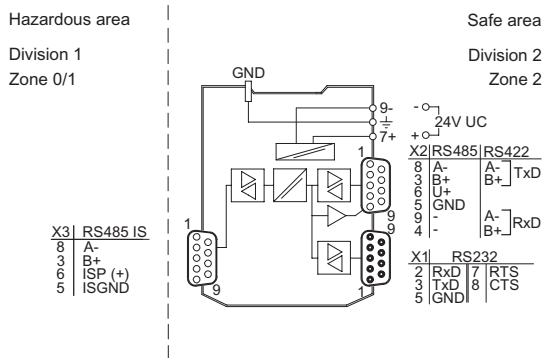
	CE Code Section 18					
	NEC® 505 Class I			NEC® 506		
Zone	0	1	2	20	21	22
Ex interface		•	•			
Installation in			•			

	IECEX / ATEX					
	Zone	0	1	2	20	21
Ex interface		•	•		•	•
Installation in			•			

Selection Table					
Product description	Fieldbus isolating repeater ISpac				
Field side of interfaces	Safe area interfaces	Product Type	Art. No.	Weight lb	
RS-485 IS (PNO)	RS 232, RS 422, RS 485	9185/11-35-10s	227598	0.77 lb	

Technical Data	
Explosion Protection	
FMus certificate	FM16US0122X
cFM certificate	FM16CA0067X
cFM certificate	FM16CA0067X
Marking cFMus	Class I, Div. 2, Groups A,B,C,D; Class I, Zone 2, AEx/Ex nA Group IIC AIS Class I,II,III, Div. 1, Groups A,B,C,D,E,F,G; Class I, Zone 1, [AEx ib]/[Ex ib] IIC T4 at Ta = 70°C See Doc. 91 856 01 31 1
IECEX gas explosion protection	Ex nA [ib Gb] IIC T4 Gc
IECEX dust explosion protection	[Ex ib Db] IIC
Certificates	ATEX (BVS), Canada (FM), China (NEPSI), IECEX (BVS), Korea (KGS), USA (FM)
Ship approval	ABS, BVIS, CCS, EU RO MR (DNV), KR, LR
Electrical Data	
Data rate settings	Fixed transmission rate or automatic detection > 9.6 kbps (only for PROFIBUS DP)
Auxiliary Power	
Auxiliary power	24 V AC / DC

Technical Drawings – Subject to Alterations

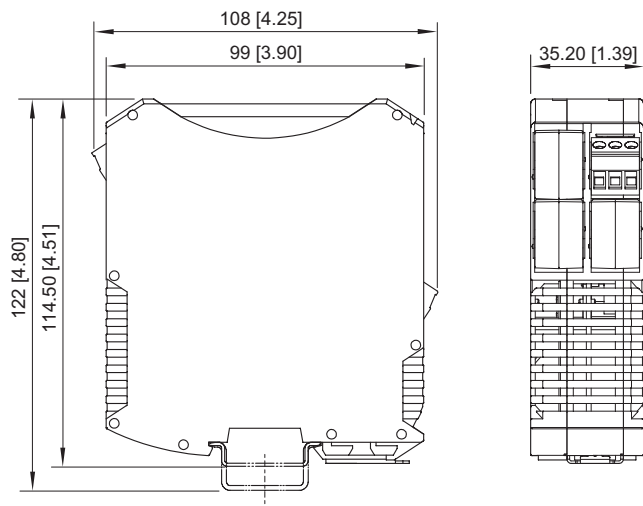


Connection diagram 9185/11

Accessories

Figure	Description	Product Type	Art. No.	Weight lb
Sub-D plug, RS-485 IS, angled				
	9-pin for connecting fieldbus or ServiceBus to CPU & power module Series 9440/22, 9185 fieldbus isolating repeater and 9786/12-11 media converter. The end-of-line resistor is installed and switchable. For RS 485 IS (according to Profibus standard). Ambient temperature: -40 °C to +70 °C	SUB-D plug RS485 IS PNO	162693	0.22
	9-pin for connecting 9185 fieldbus isolating repeater and 9786/12-11 media converter. The end-of-line resistor is installed. For RS-485 IS (according to Profibus standard). Ambient temperature: -25 °C to +70 °C	SUB-D plug RS485 IS PNO angled	201805	0.11

Dimensional Drawings (All Dimensions in mm [inches]) – Subject to Alterations



ISpac Series 9185, 9192 with screw terminal