



- Simple, front-end parameterization
- Bit refresh function improves signal quality
- Adjustable transmission speeds of 1.2 kbit/s and 1.5 Mbit/s - automatic with PROFIBUS DP
- Field interface non-Ex i

MY R. STAHL 9185B



The 9185/12 series fieldbus isolating repeater can be used for the galvanically separated transmission of communication signals. It prevents any compensating currents and protects easily damaged terminal equipment from transient coupling, thereby ensuring undisturbed signal transmission for R. STAHL PROFIBUS DP, Modbus RTU and service bus. The RS-232 interface allows a PC to be connected.

	NEC® 500 CE Code Appendix J					
	Class I		Class II		Class III	
Division	1	2	1	2	1	2
Ex interface		•		•		
Installation in		•				

	CE Code Section 18					
	NEC® 505 Class I			NEC® 506		
Zone	0	1	2	20	21	22
Ex interface			•			
Installation in			•			

	IECEX / ATEX					
	Zone	0	1	2	20	21
Ex interface		•	•		•	•
Installation in			•			

Selection Table					
Product description	Fieldbus isolating repeater ISpac				
Field side of interfaces	Safe area interfaces	Product Type	Art. No.	Weight lb	
RS 485 / RS 422 (switchable)	RS 232, RS 422, RS 485	9185/12-45-10s	227600	0.77 lb	

Technical Data	
Explosion Protection	
FMus certificate	FM16US0122X
cFM certificate	FM16CA0067X
cFM certificate	FM16CA0067X
Marking cFMus	Class I, Div. 2, Groups A,B,C,D; Class I, Zone 2, AEx/Ex nA Group IIC T4 at Ta = 70°C See Doc. 91 856 01 31 1
IECEX gas explosion protection	Ex nA IIC T4 Gc
Certificates	ATEX (BVS), Canada (FM), China (NEPSI), IECEX (BVS), USA (FM)
Ship approval	ABS, BVIS, CCS, EU RO MR (DNV), KR, LR
Electrical Data	
Data rate settings	Fixed transmission rate or automatic detection > 9.6 kbps (only for PROFIBUS DP)
Terminating resistor	To be connected in external plug
Line length	Depends on transmission rate and cable
Auxiliary Power	
Auxiliary power	24 V AC / DC

Technical Data

Auxiliary Power

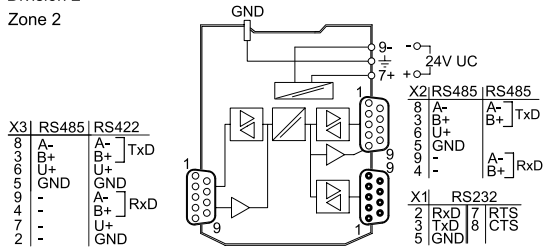
Nominal current 66 mA

Technical Drawings – Subject to Alterations

Safe area


Division 2

Zone 2

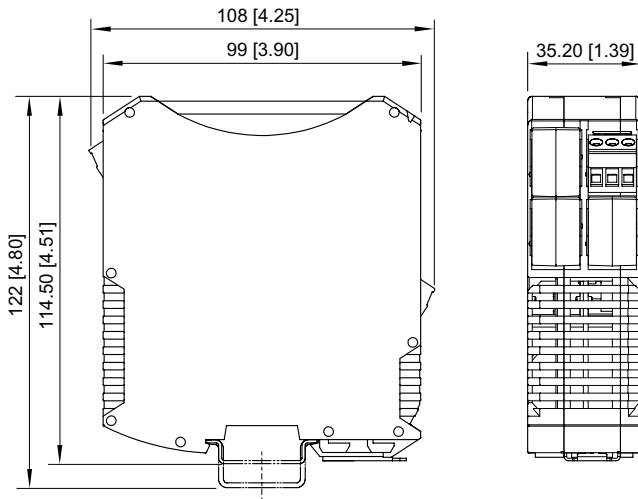


Connection diagram 9185/12

Accessories

Figure	Description	Product Type	Art. No.	Weight lb
	9-pin for connecting fieldbus or ServiceBus to CPU & power module Type 9440/15, 9185 fieldbus isolatingrepeater and 9786/15-12 media converter. The end-of-line resistor is installed and switchable. For non-intrinsically safe RS-485. Ambient temperature: -40 °C to +75 °C	sub-D plug RS485 non Ex/Z2 with PU inter	105715	0.13

Dimensional Drawings (All Dimensions in mm [inches]) – Subject to Alterations



ISpac Series 9185, 9192 with screw terminal