



- Prefabricated system cables for field terminal boards (FTB) make it quick and easy to install – simply snaps onto a DIN rail or mounting plate
- All ISpac isolators 91xx can be used in the pac-Carrier

07 b

MY R. STAHL 9195A



The 9195 series pac-Carrier is a cost-effective solution allowing Ex i field devices to be connected to common I/O modules of distributed control systems and programmable logic controllers. The extremely robust carrier is suitable for 8 or 16 standard ISpac isolators and can process 32 signals, including a combination of Ex i and non-Ex i signals. It can be adapted to accommodate new I/O modules at any time. The carrier can be combined with the 9192 series HART Mux.

	NEC® 500 CE Code Appendix J					
	Class I		Class II		Class III	
Division	1	2	1	2	1	2
Ex interface						
Installation in		•				

	CE Code Section 18 NEC® 505   NEC® 506					
	Class I					
Zone	0	1	2	20	21	22
Ex interface						
Installation in			•			

	IECEX / ATEX					
	Zone	0	1	2	20	21
Ex interface						
Installation in			•			

Selection Table						
HART-multiplexer connection		Yes				
Connections		HART interface via 9192 HART multiplexer				
I/O type	Type of signal	Number of slots	Redundancy	Product Type	Art. No.	Weight lb
any	DI, DO, AI, AO	16	No	9195/16H-XX0-01C	209268	1.86 lb

Customer-specific versions for connection to the following control systems: Yokogawa Centum VP, Yokogawa ProSafe-RS, Schneider Electric (TRICONEX, Foxboro), Siemens.

Technical Data	
Explosion Protection	
FMus certificate	FM16US0122X
cFM certificate	FM16CA0067X
cFM certificate	FM16CA0067X
Marking cFMus	Class I, Div. 2, Groups A,B,C,D; Class I, Zone 2, Group IIC T4 at Ta = 70°C See Doc. 91 956 01 31 1
IECEX gas explosion protection	Ex ec nC IIC T4 Gc
Certificates	ATEX (BVS), Brazil (ULB), Canada (FM), China (NEPSI), IECEX (BVS), India (PESO), SIL (exida), USA (FM)
Ship approval	CCS, EU RO MR (DNV)
Electrical Data	
Number of channels field device interface (HART)	8, 16, 32

**Technical Data**

**Electrical Data**

Fuse 2 x TR5; T 2 A; interchangeable, for a primary and redundant power supply

**Auxiliary Power**

Auxiliary power 24 V DC

Redundant supply Yes, diode-decoupled

**Output**

Line fault and loss of power signalization - Contact (35 V/100 mA), closed in go-state

**Ambient Conditions**

Ambient temperature °F -4°F ... +158°F

Ambient temperature °C -20 °C ... +70 °C

Storage temperature °F -40°F ... +176°F

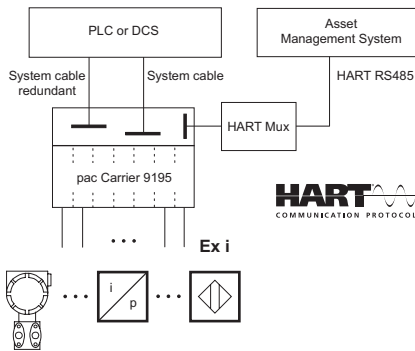
Storage temperature °C -40 °C ... +80 °C

**Mounting / Installation**

Mounting type DIN rail or wall mounting

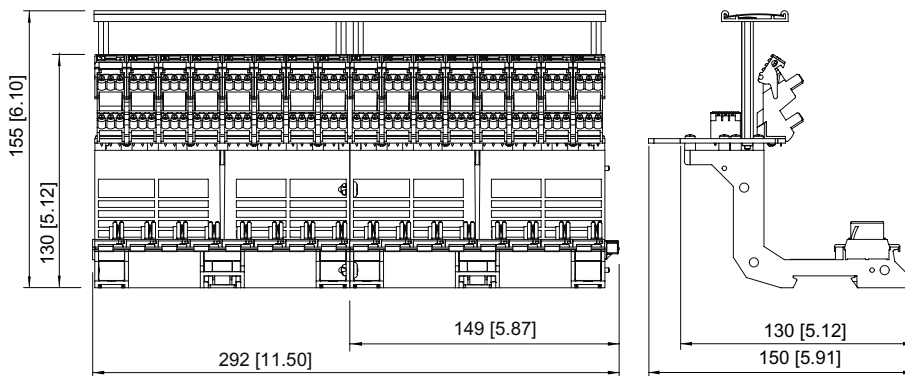
Mounting orientation Vertical  
Horizontal

**Technical Drawings – Subject to Alterations**



System configuration

**Dimensional Drawings (All Dimensions in mm [inches]) – Subject to Alterations**



Type 9195/16.-...-..., 16 slots