

- Slim design – 12.5 mm wide – for one- and two-channel versions
- Can be used for functional safety levels up to SIL 2 (IEC/EN 61508)
- Offers line fault detection with signalization

07 b

MY R. STAHL 9270A



Series 9270 switching repeaters can be used for operating contacts, NAMUR proximity sensors or optocouplers. A relay output or electronic output transmits the signals to the control level. The intrinsically safe digital input is galvanically separated from the output and auxiliary power.

	NEC® 500 CE Code Appendix J					
	Class I		Class II		Class III	
Division	1	2	1	2	1	2
Ex interface	•	•	•	•	•	•
Installation in		•				

	CE Code Section 18					
	NEC® 505 Class I			NEC® 506		
Zone	0	1	2	20	21	22
Ex interface	•	•	•			
Installation in			•			

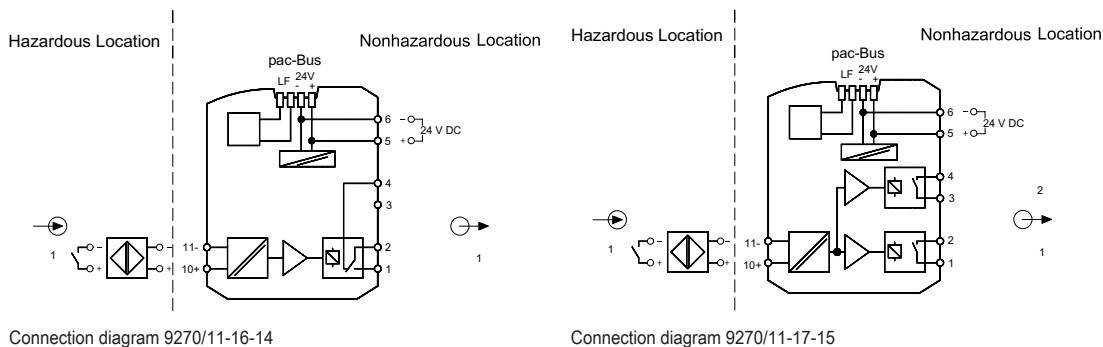
	IECEx / ATEX					
	Zone	0	1	2	20	21
Ex interface	•	•	•	•	•	•
Installation in			•			

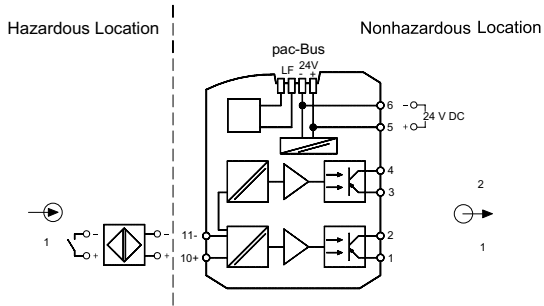
Selection Table						
Output version (control)		Electronic (35 V/50 mA)				
Number of channels	Output per channel	Connection type	Product Type	Art. No.	Weight lb	
1	2 electronic outputs	Screw terminal	9270/11-19-15s	261412	0.35 lb	
		Spring clamp terminal	9270/11-19-15k	261417	0.35 lb	
2	1 electronic output	Screw terminal	9270/21-14-14s	261413	0.36 lb	
		Spring clamp terminal	9270/21-14-14k	261418	0.36 lb	
Output version (control)		Relay (250 V/2 A)				
Number of channels	Output per channel	Connection type	Product Type	Art. No.	Weight lb	
1	1 change-over contact	Screw terminal	9270/11-16-14s	261409	0.35 lb	
		Screw terminal	9270/11-17-15s	261410	0.36 lb	
2	1 NO	Screw terminal	9270/21-17-14s	261411	0.37 lb	
Output version (control)		Relay (250 V / 2 A)				
Number of channels	Output per channel	Connection type	Product Type	Art. No.	Weight lb	
1	1 change-over contact	Spring clamp terminal	9270/11-16-14k	261414	0.35 lb	
		Spring clamp terminal	9270/11-17-15k	261415	0.36 lb	
2	1 NO	Spring clamp terminal	9270/21-17-14k	261416	0.37 lb	

Technical Data		
Variant	Electronic (35 V/50 mA)	Relay (250 V/2 A)
Explosion Protection		
cULus certificate	E81680	E81680

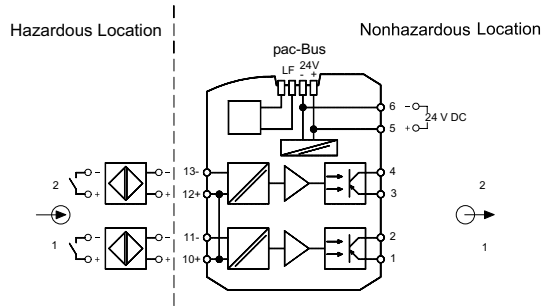
Technical Data		
Variant	Electronic (35 V/50 mA)	Relay (250 V/2 A)
Explosion Protection		
Marking cULus	Class I, Div. 2, Groups A,B,C,D; Class I, Zone 2, AEx/Ex nA nC Group IIC AIS Class I,II,III, Div. 1, Groups A,B,C,D,E,F,G; Class I, Zone 0, [AEx ia]/[Ex ia] IIC T4 any mounting pos. Ta = 60°C See Doc. 9270 6 031 001 3	Class I, Div. 2, Groups A,B,C,D; Class I, Zone 2, AEx/Ex nA nC Group IIC AIS Class I,II,III, Div. 1, Groups A,B,C,D,E,F,G; Class I, Zone 0, [AEx ia]/[Ex ia] IIC T4 any mounting pos. Ta = 60°C See Doc. 9270 6 031 001 3
IECEX gas explosion protection	Ex ec [ia Ga] IIC T4 Gc	Ex ec nC [ia Ga] IIC T4 Gc
IECEX dust explosion protection	[Ex ia Da] IIIC	[Ex ia Da] IIIC
Certificates	ATEX (IBE), Canada (UL), China (CQM), IECEX (IBE), India (PESO), Korea (KTL), SIL (exida), USA (UL)	ATEX (IBE), Canada (UL), China (CQM), IECEX (IBE), India (PESO), Korea (KTL), SIL (exida), USA (UL)
Ship approval	DNV	DNV
Safety Data		
Max. voltage U_0/V_{oc}	9.6 V	9.6 V
Max. current I_0/I_{sc}	10 mA	10 mA
Max. power P_0	25 mW	25 mW
Safety-related max. voltage	253 V AC	253 V AC
Functional Safety		
SIL	2	2
Input		
Input signal	As per EN 60947-5-6 (NAMUR)	As per EN 60947-5-6 (NAMUR)
Input current for ON	≥ 2.1 mA	≥ 2.1 mA
Input current for OFF	≤ 1.2 mA	≤ 1.2 mA
Input for open-circuit voltage U_s	8 V	8 V
Output		
Output switching capacity	30 V DC	500 VA
Output switching frequency	5 kHz	20 Hz
Ambient Conditions		
Ambient temperature °F	-40 °F ... +158 °F (Single device) -40 °F ... +140 °F (Group assembly)	-4 °F ... +158 °F (Single device) (Group assembly)
Ambient temperature °C	-40 °C ... +70 °C (Single device) -40 °C ... +60 °C (Group assembly)	-40 °C ... +70 °C (Single device) -40 °C ... +60 °C (Group assembly)
Storage temperature °F	-40 °F ... +176 °F	-40 °F ... +176 °F
Storage temperature °C	-40 °C ... +80 °C	-40 °C ... +85 °C
Mounting / Installation		
Mounting type	DIN rail NS35/15, NS35/7.5	DIN rail NS35/15, NS35/7.5

Technical Drawings – Subject to Alterations

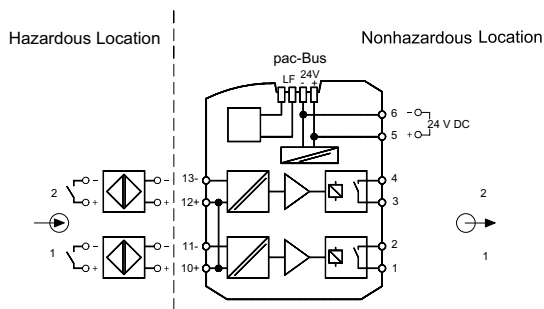




Connection diagram 9270/11-19-15



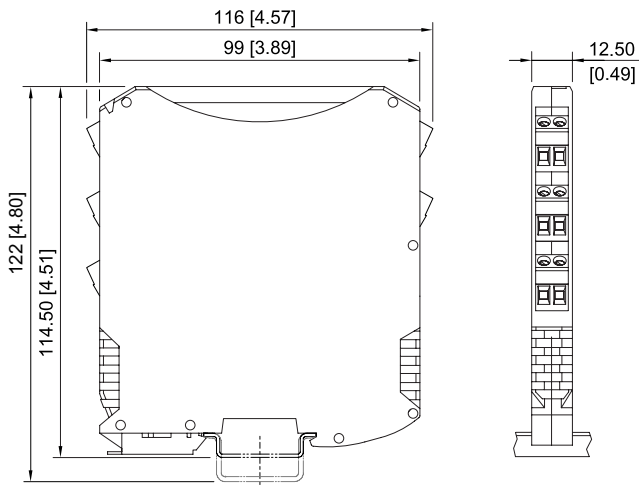
Connection diagram 9270/21-14-14



Connection diagram 9270/21-17-14

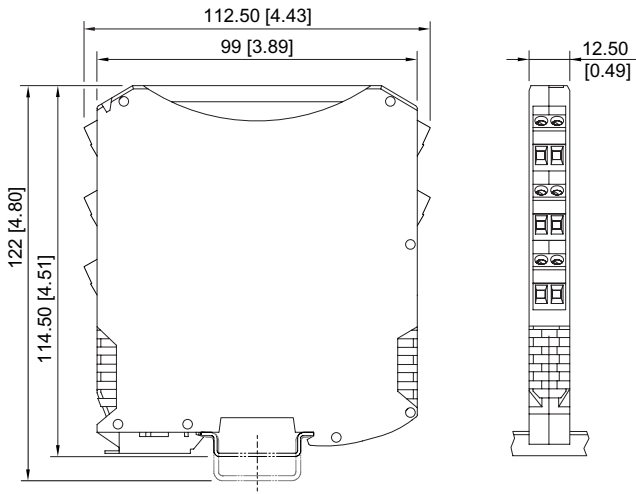
Accessories				
Figure	Description	Product Type	Art. No.	Weight lb
Resistive coupling element				
	Additional connection of contacts also in hazardous areas to enable short-circuit and wire breakage detection	Resistive coupling element for 9170	105944	0.02

Dimensional Drawings (All Dimensions in mm [inches]) – Subject to Alterations



ISpac Series 9260, 9270, 9275, 9276 with spring clamp terminal

07 b



ISpac Series 9260, 9265, 9270, 9275, 9276, 9282 with screw terminal