



- 24 V DC supply module for IS1+ CPU modules and 16 I/O modules
- Redundancy of the power module with load sharing possible
- Integrated polarity reversal protection
- Error messages according to NE 107 (overload, overtemperature, maintenance required)
- Supports FDT/DTM, OPC UA and web servers for integration in asset management systems
- Extended ambient temperature range from -40 to +75 °C

## MY R. STAHL 9445B



The 9445/32 power module is used to supply the 9442/32 CPU and up to 16 I/O modules with intrinsically safe power. The auxiliary power is connected using a pluggable terminal with unconnected cable end (accessory). Two 9445/32 power modules can be connected to a 9496/35 socket to provide a redundant power supply to the 9442/32 CPU and the I/O modules. The 9445/32 power module monitors itself and reports notifications to the control systems and asset management systems when there is an overload, the ambient temperatures are too high or the end of the service life has been reached.

	IECEX / ATEX					
Zone	0	1	2	20	21	22
Ex interface		•	•			
Installation in		•	•			

### Selection Table

Installation		Zone 1		Art. No.	Weight
Auxiliary power nominal voltage		Product Type			
24 V DC		9445/32-12		279965	1.3 kg

Please order the 9442/32 CPU, 9496/32 socket and 24 V auxiliary power set separately (see accessories).

### Technical Data




<b>Explosion Protection</b>	
IECEX gas explosion protection	Ex eb mb [Ia Ga] [Ib Gb] IIC T4 Gb
ATEX gas explosion protection	Ex II 2 (1) (2) G Ex eb mb [Ia Ga] [Ib Gb] IIC T4 Gb
Certificates	ATEX (PTB), Brazil (ULB), China (NEPSI), IECEX (PTB)
Declaration of conformity	ATEX (EUK), China (CCC)
<b>Auxiliary Power</b>	
Auxiliary power nominal voltage	24 V DC
Auxiliary power voltage range	19 ... 32 V DC
Polarity reversal protection	Yes
Redundancy	Yes (by using two power modules)
<b>Ambient Conditions</b>	
Ambient temperature	-40°C ... +65°C (without mounting plate) -40°C ... +70°C (With 3 mm sheet steel mounting plate) -40°C ... +75°C (With 6 mm aluminium mounting plate)

## Technical Data

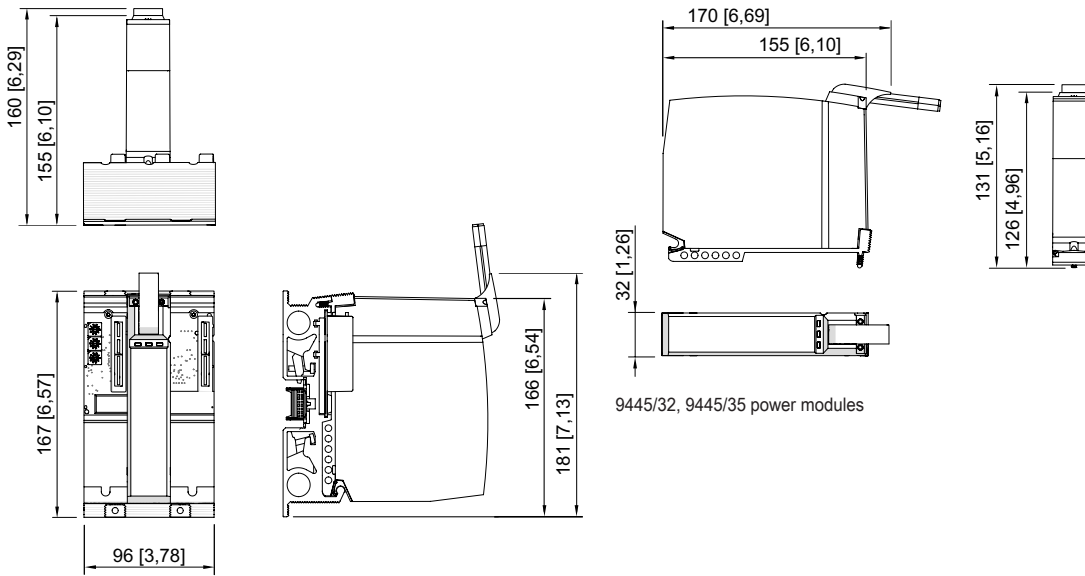
### Mechanical Data

Degree of protection (IP) (IEC 60529) IP30

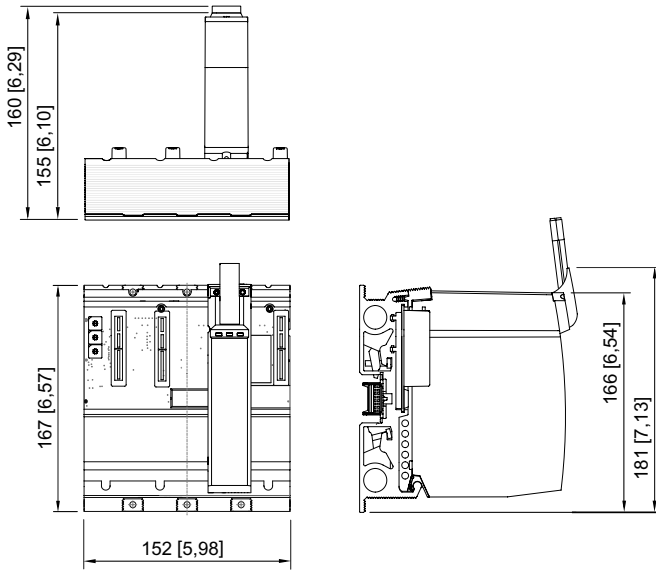
## Accessories

Figure	Description	Art. No.	Weight
<b>Connection set</b>			
	Auxiliary power set, 24 V (3 m)	261232	100 g
<b>Series 9496/32 socket for CPU &amp; power modules</b>			
	Zone 1 3 slots for mounting 1 x CPU and 2 x power module or 2 x CPU and 1 x power module Dimensions approx. L = 167 mm, W = 96 mm, H = 50.6 mm	290095	400 g
	Zone 1 4 slots for mounting 2 x CPU and 2 x power module Dimensions approx. L = 167 mm, W = 152 mm, H = 50.6 mm	290162	600 g

## Dimensional Drawings (All Dimensions in mm [inches]) – Subject to Alterations



9445/32, 9445/35 power modules and 9496 socket (3 slots)



9445/32, 9445/35 power modules and  
9496 socket (4 slots)