



- Sixteen channels can be used in pairs as inputs or outputs
- Inputs/outputs Ex ec with line fault monitoring and LED error and status indication for each channel
- Module in Zone 2, Cl. I, Div. 2 can be hot swapped

06 b

MY R. STAHL 9471B



The 9471/35 series digital input/output module for Zone 2, Cl. I, Div. 2 has 16 channels, which can be used in pairs for operation as inputs for contacts, NAMUR proximity sensors (EN 60947-5-6) and PNP proximity switches or as outputs for indicator lamps and low-power solenoid valves. Eight inputs can be used for frequencies of up to 20 kHz, and four can be used for detecting the direction of rotation. All inputs/outputs are short-circuit proof and galvanically separated from the system.

	NEC® 500 CE Code Appendix J					
	Class I		Class II		Class III	
Division	1	2	1	2	1	2
Ex interface		•				
Installation in		•				

	CE Code Section 18					
	NEC® 505			NEC® 506		
	Class I					
Zone	0	1	2	20	21	22
Ex interface			•			
Installation in			•			

	IECEX / ATEX					
	Zone 0		Zone 1		Zone 2	
Zone	0	1	2	20	21	22
Ex interface			•			
Installation in			•			

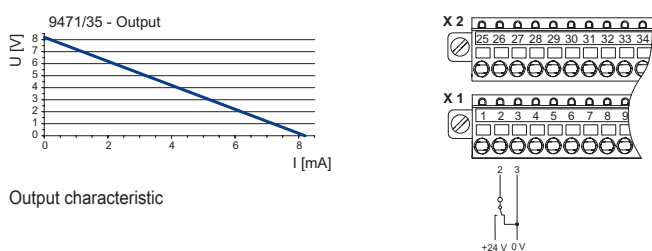
Selection Table				
Installation	Zone 2, Cl. I, Div. 2 and safe area			
Number of channels	Product Type		Art. No.	Weight lb
(adjustable parameters in pairs) 16 Ex ec inputs/outputs	9471/35-16-11		230225	0.61 lb

Please order two terminals separately – see accessories and spare parts

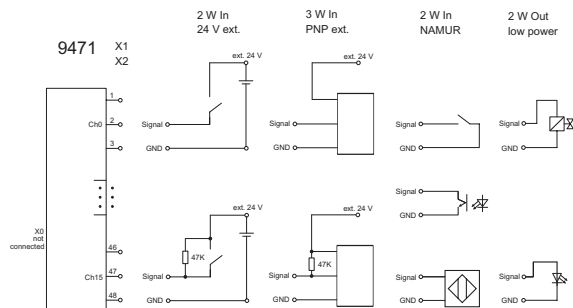
Technical Data	
Explosion Protection	
FMus certificate	FM17US0332X
cFM certificate	FM16CA0134X
cFM certificate	FM16CA0134X
Marking cFMus	NI, Class I, Div. 2, Groups A,B,C,D; Class I, Zone 2, AEx/Ex ec ic Group IIC T4 Gc Ta = -40°C ... +75°C See Doc. 9471 6 031 001 1
IECEX gas explosion protection	Ex ec ic [ia Ga] IIC T4 Gc
Certificates	ATEX (DEK), Brazil (ULB), Canada (FM), China (NEPSI), IECEX (DEK), India (PESO), Korea (KTL), USA (FM)
Ship approval	ABS, BVIS, EU RO MR (DNV), KR, LR
Electrical Data	
Max. number of 3-conductor PNP inputs	16 (channels 0 ... 15)
Auxiliary Power	
Current consumption	90 mA

Technical Data	
Auxiliary Power	
Max. power consumption	2.2 W
Max. power dissipation	0.7 W
Input	
Max. number of frequency inputs	8 (channel 8 to 15)
Notes	Max. supply voltage PNP: 24 V externally supplied IEC 60947-5-6-1999 (NAMUR), 3-conductor PNP proximity switches and active 24 V signals with and without 47 kΩ resistance connected in parallel
Output	
Signal type binary output	2-conductor (6 V/2 mA)
Notes	Output characteristics, see data sheet online at r-stahl.com (MY R. STAHL 9471B)
Ambient Conditions	
Ambient temperature °F	-40°F ... +167°F
Ambient temperature °C	-40°C ... +75°C
Mechanical Data	
Degree of protection (IP) (IEC 60529)	IP20

Technical Drawings – Subject to Alterations



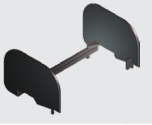

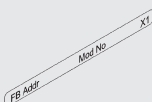
Output characteristic



9471/35 connection diagram

Accessories

Figure	Description	Product Type	Art. No.	Weight lb
Pluggable terminal				
	1.5 mm ² with lock, 24-pin, spring clamp connection, black, for connecting the field signals to I/O modules, for non-intrinsically safe field circuits Version: Only for 9469, 9471 and 9472 I/O modules Labelling: 1 to 24	Term. block spring clamp connec. BK 1-24	245090	0.04
	1.5 mm ² with lock, 24-pin, spring clamp connection, black, for connecting the field signals to I/O modules, for non-intrinsically safe field circuits Version: Only for 9469, 9471 and 9472 I/O modules Labelling: 25 to 48	Term. block spring clamp connec. BK 25-48	245091	0.04

Accessories				
Figure	Description	Product Type	Art. No.	Weight lb
Resistor error message suppression				
	The resistors are used to suppress error messages for unused I/O channels Resistance value: 5K6/0.5 W Suitable for: AIM 9468; UMH 9469; DIOM 9470; DIOM 9471; DIOM 9472; DOM 9475 For intrinsically safe circuits (simple apparatus according to EN 60079-11)	Resistor UMX 5K6 0,5% 0,5 W TK25	244911	
Partition				
	For mounting between intrinsically safe and non-intrinsically safe connections between I/O modules to maintain a tight string length of 50 mm	Partition 9490 IS1+	220101	0.02
Warning label				
	"Clean modules only with a damp cloth."	V. label 48x25 de/en damp cloth	162796	-
DIN A4 sheet				
	For label plate on I/O modules; 6 plates per sheet; IS Wizard printout; packaging unit = 20 sheets	label for labelling carrier (1 set= 20 s	162832	-
Labelling strips				
	"FB Addr ... Mod No ..." for pluggable terminal, 26 pieces on the sheet	labelling sheet (26 labels) for terminal	162788	-
Set of screws				
	Set of M5 x 14 screws (self-tapping) for 9490 vibration brackets Number of screws in a set: 25	Screws 9490 Set 25Pcs. for I/O-Modules	275516	

Dimensional Drawings (All Dimensions in mm [inches]) – Subject to Alterations

