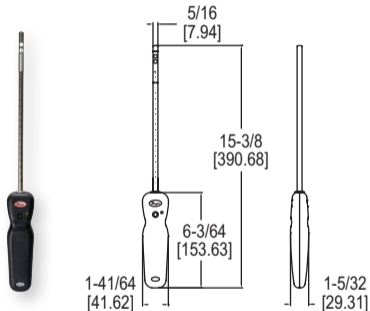


THERMO-ANEMOMETER PROBE

Wireless, Measures Velocity, Flow, and Temperature



FEATURES/BENEFITS

- Allows for one handed operation for ladder use safety
- Stable 50 ft (15m) wireless range

APPLICATIONS

- Building Commissioning
- Building HVAC Test and Balance

SPECIFICATIONS

Service: Dry, clean air.

Temperature Limits: Process: -20 to 212°F (-29 to 100°C); Ambient: 5 to 125°F (-15 to 51°C).

Range: Air Velocity: 0 to 6000 FPM (0 to 30 m/s); Volumetric Air: 999,999 in selected flow units; Temperature: -20 to 212°F (-29 to 100°C).

Accuracy: Air Velocity: ±3% FS within temperature range of 40 to 90°F (4 to 32°C) -TAB option: 50 to 3900 FPM (0.25 to 20m/s); Temperature: ±0.5°F (±0.28°C).

Response Time: 1 s.

Probe Length: 8" (203 mm) insertion.

Battery Charging Limits: 32 to 113°F (0 to 45°C). (Wireless Only).

Power Requirements: 3.7 V YT562447 Lithium ion battery, installed functional, user replaceable. (**Note:** Intended to be operated with power cables less than 3 m in length). (Wireless Only).

Maximum Wireless Distance: 50' (15 m). (Wireless Only).

Handle Enclosure: Thermoplastic elastomer over polycarbonate.

Supplied With: Wrist strap.

Weight: 11.2 oz (317 g).

Agency Approvals: CE (not while charging), FCC compliant.

MODEL CHART

Model	Probe Length
AP2	8" (203.2 mm)
AP2-18	18" (457.2 mm)
AP2-24	24" (609.6 mm)
AP2-36	36" (914.4 mm)

