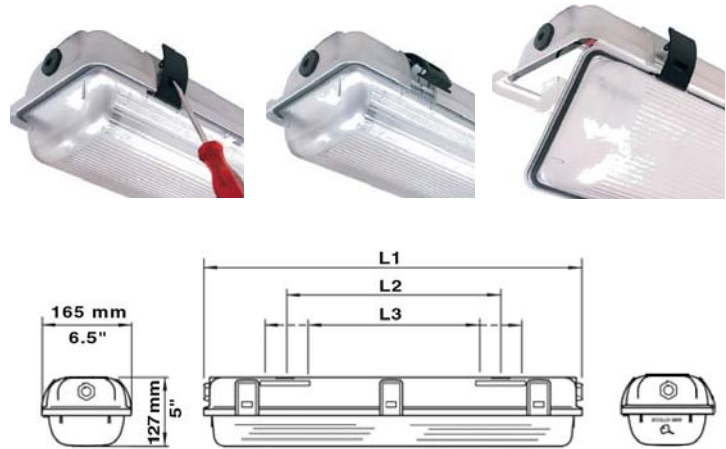


**ECOLUX 6600 & 6608**

*Dimensions*

	17 W	32 W	40 W
L1	700 mm	1310 mm 27.5"	1610 mm 51.6" 63.4"
L2	400 mm	800 mm 15.75"	800 mm 31.5" 31.5"
L3	340 - 460 mm 13.4" - 18.1"	680 - 920 mm 26.8" - 36.2"	795 - 1030 mm 31.3" - 40.5"

*Opening the Luminaire*



**Parts and Accessories**



Use only the following original spare parts and accessories, any others would invalidate the certification and warranty.

Item	Image	Description	Catalog Number
Conduit Hub 1/2" NPT		Conduit hub 1/2" NPT with sealing ring	8166/11-01-N
Conduit Hub 3/4" NPT		Conduit hub 3/4" NPT with sealing ring	8166/11-02-N
Close-up plug 1/2" NPT		Polymeric close-up plug 1/2" NPT with sealing ring	PD-E-4-0-29-00
Close-up plug 3/4" NPT		Polymeric close-up plug 3/4" NPT with sealing ring	PD-E-4-0-30-00
Parabolic Reflector (Optional)		For retro-fitting for 1-lamp luminaires: 17W 32W 40W  for 2-lamp luminaires: 17W 32W 40W	60 309 03 58 0 60 309 04 58 0 60 309 06 58 0  117098 117115 117145