

- Degree of protection IP66 and IP68
- Type of protection Ex d
- Vibration-resistant, lightweight, robust (impact strength rating of IK10) and maintenance-free
- Many light fittings can be connected to single miniature circuit breaker due to incredibly low start-up current

E2

## MY R. STAHL 6036A



The 6036 series compact LED tubular light fitting is ideal for general lighting applications and for use as machine lighting, even in relatively inaccessible places with very little space. This light boasts a long service life of up to 100,000 hours thanks to its use of energy-efficient LED technology, coupled with electronics that have been developed in-house by R. STAHL. Due to its robust construction, it can withstand extreme temperatures of between -55 °C and +60 °C.

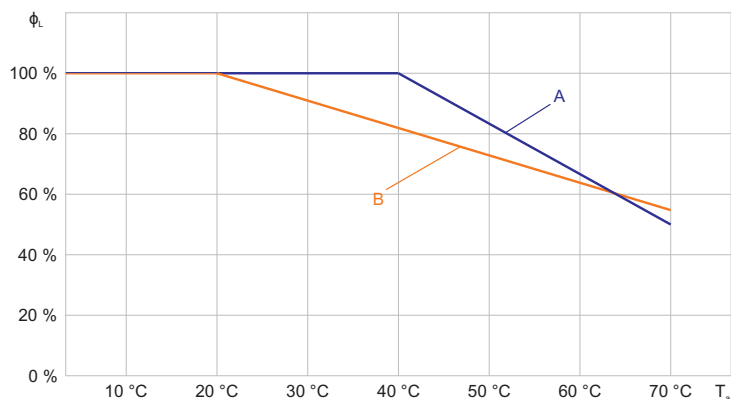
	IECEX / ATEX					
Zone	0	1	2	20	21	22
Installation in		•	•		•	•

Selection Table						
Size	1					
Cable length	2.5 m					
Rated operational voltage AC	24 ... 48 V					
Rated operational voltage DC	24 ... 48 V					
Gas temperature class	T4					
Dust max. surface temperature	100 °C					
Ambient temperature	-40 °C ... +70 °C					
Light colour	Luminaire efficacy	Luminous flux	Type of connection cable	Product Type	Art. No.	Weight
Blue	27 lm/W	338 lm	H07RN8-F 2x1.5 mm <sup>2</sup>	6036/1212-053-0121-17	263762	1 kg
Green	53 lm/W	671 lm	H07RN8-F 2x1.5 mm <sup>2</sup>	6036/1212-053-0121-14	262509	1 kg
Neutral white	104 lm/W	1396 lm	H07RN8-F 2x1.5 mm <sup>2</sup>	6036/1212-453-0121-11	274308	1 kg
Red	45 lm/W	475 lm	H07RN8-F 2x1.5 mm <sup>2</sup>	6036/1212-053-0121-16	262510	1 kg
Size	1					
Cable length	2.5 m					
Rated operational voltage DC	12 V					
Gas temperature class	T4					
Dust max. surface temperature	100 °C					
Ambient temperature	-40 °C ... +40 °C					
Light colour	Luminaire efficacy	Luminous flux	Type of connection cable	Product Type	Art. No.	Weight
Neutral white	104 lm/W	1396 lm	H07RN8-F 2x1.5 mm <sup>2</sup>	6036/1212-452-0121-11	274365	1 kg

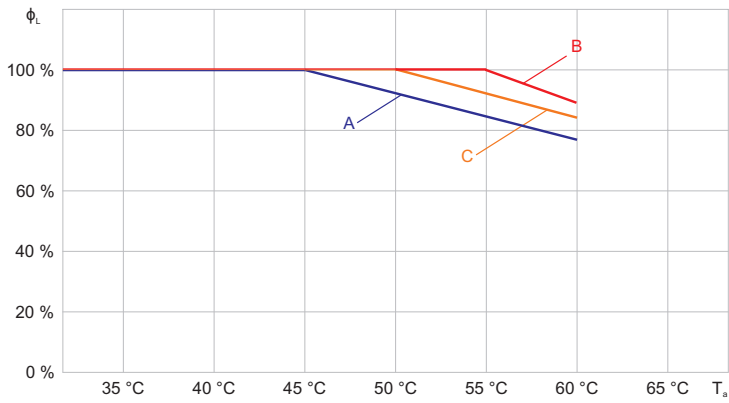
Technical Data	
Explosion Protection	
IECEX gas explosion protection	Ex db op is IIC T4 Gb
IECEX dust explosion protection	Ex tb IIIC T100 °C Db
ATEX gas explosion protection	⊕ II 2 G Ex db op is IIC T4 Gb
ATEX dust explosion protection	⊕ II 2 D Ex tb IIIC T100 °C Db

Technical Data	
Explosion Protection	
Certificates	ATEX (BVIS), IECEx (BVIS)
Electrical Data	
Frequency range	50 – 60 Hz
Ambient Conditions	
Storage temperature	-40 °C ... +70 °C
Lighting Data	
Lamp wattage	16 W
Note	Values apply to $T_a = +25\text{ °C}$
Mechanical Data	
Degree of protection (IP)	IP66 / IP67
IP degree of protection (IEC 60598)	IP66 / IP68 (10 m / 60 min)
Class	II (double insulated)
Enclosure material	Polycarbonate
Pipe material	Polycarbonate
Impact strength (IEC 62262)	IK10
Notes	Standard cable: H07RN8-F Additional cable types available: BFOU P5-P12, Radox MFH-S B, (N)SSHÖU, HXSLHXÖ-J

### Technical Drawings – Subject to Alterations

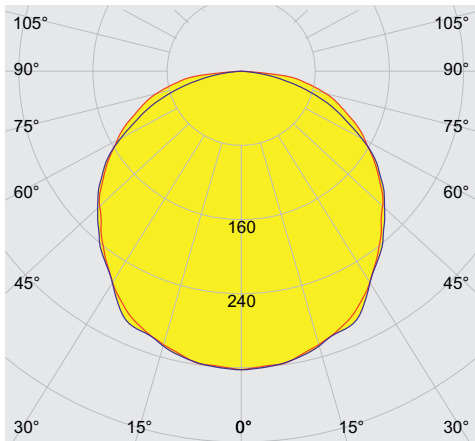


Luminous flux decline relative to ambient temperature  
A: Size 1 (110 to 240 V)  
B: Size 1 (24 to 48 V)



Luminous flux decline relative to ambient temperature  
 A: Size 2  
 B: Size 3  
 C: Size 4

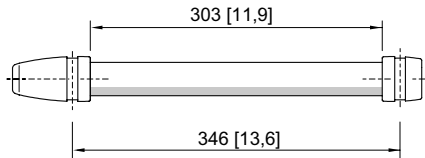
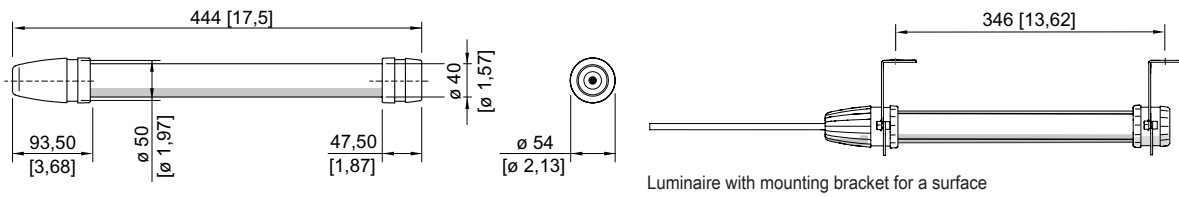
Light Distribution Curves – Subject to Alterations



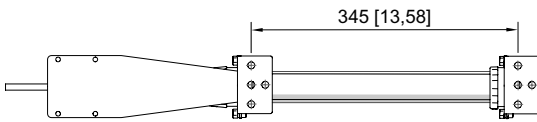
cd/klm 100%  
 — C0 - C180 — C90 - C270  
 with diffuser

Accessories				
Figure	Description	Art. No.	Weight	
<b>Plug</b>				
	8573/12-200 2-pole, 20 to 25 V, 50 / 60 Hz, 16 A	243197	300 g	
	8573/12-210 2-pole, 20 to 25 V, DC, 16 A	243203	300 g	
	8573/12-300 3-pole, 20 to 25 V, 50 / 60 Hz, 16 A	243190	300 g	
	8573/12-312 3-pole, 40 to 50 V, 50 / 60 Hz, 16 A	243195	300 g	
	8570/12-304-S-XX-X-XX-XXX 3-pole plug, 100 to 130 V AC, 50/60 Hz, 16 A	272896	331 g	
	8570/12-306-S-XX-X-XX-XXX 3-pole plug, 200 to 250 V AC, 50 / 60 Hz, 16 A	272898	331 g	
<b>Mounting bracket</b>				
	Mounting bracket made of galvanised sheet steel to screw onto thread M8 or M10 (2 pieces)	227256	190 g	
	Mounting bracket made of stainless steel V4A to screw onto thread M8 or M10 (2 pieces)	227257	180 g	
	Double plastic mounting clamp for mounting on pipes with a diameter of 45 to 55 mm (screws and nuts made from stainless steel V2A) (2 pieces)	254932	800 g	
	Mounting bracket made of stainless steel V4A for fastening on surfaces (2 pieces)	252940	400 g	
	Mounting bracket made from galvanised sheet steel (x 2 units); for design size 1	120535	48 g	
	Mounting plate made of stainless steel V4A for terminal box Ex e Series 8010 (for example Art. No. 130724) for fastening on mounting bracket Art. No. 252940	254494	700 g	
<b>Mounting bracket and magnet</b>				
	Mounting bracket made from galvanised sheet steel with magnetic base (x 2 units); for design size 1	120536	100 g	

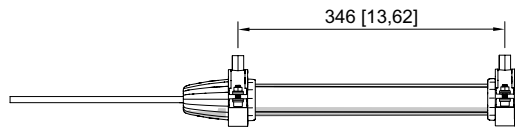
Dimensional Drawings (All Dimensions in mm [inches]) – Subject to Alterations



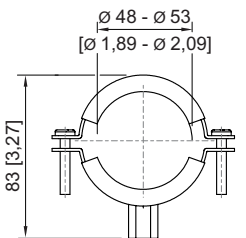
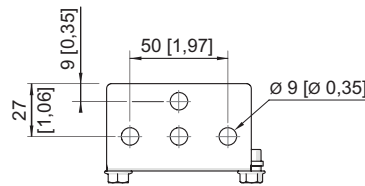
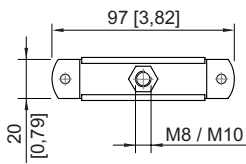
Design size 1



Light fitting with mounting clamp for surface and mounting plate



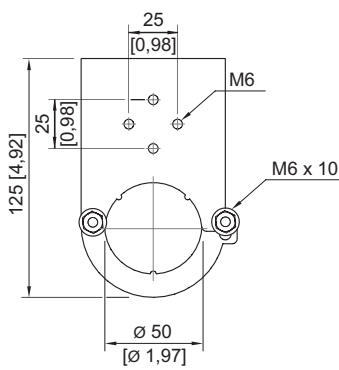
Luminaire with mounting bracket for a thread



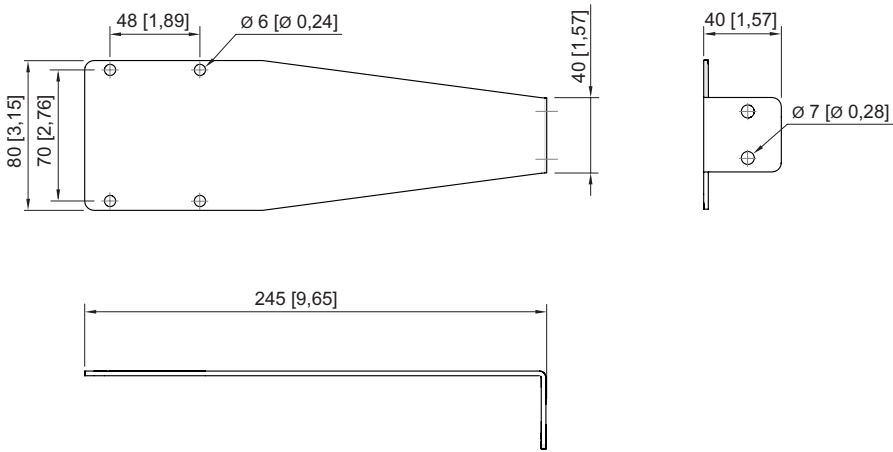
Mounting bracket for a thread



Mounting bracket for surfaces



E2



Mounting plate