

- Automatic monitoring of all light units when in combination with Tranberg control system. No need for redundancy units
- Maintenance free
- Night vision goggle (NVG) compatible
- Low power consumption: Main light, 30 W and Repeater light 3.5 W

E6

MY R. STAHL T9980A




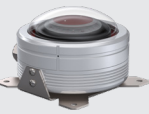
The TEF9980 Status lights are designed to fulfil the latest requirements of CAA UK CAP 437, as well as operator’s needs for products that are cost-effective, reliable, require no maintenance and are applicable for use in all environments.

The TEF 9980 Status light is available as a main light and as a repeater light. Both versions are fully monitored, which eliminates the light units’ redundancy need. A status light system should be installed if a condition can exist on an installation which may be hazardous for the helicopter or its occupants. The system should be a flashing red light (or lights), visible to the pilot from any direction of approach and on any landing heading. The aeronautical meaning of a flashing red light is either “do not land, aerodrome not available for landing” or “move clear of landing area”.

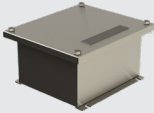
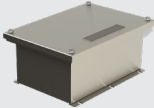
Applications:

- Status light as described in CAA UK CAP437, NORMAM-27/DPC and 2009 MODU Code

| | IECEx / ATEX | | | | | |
|-----------------|--------------|---|---|----|----|----|
| Zone | 0 | 1 | 2 | 20 | 21 | 22 |
| Installation in | | • | • | | | |

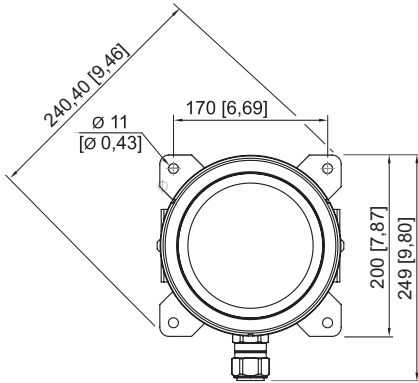
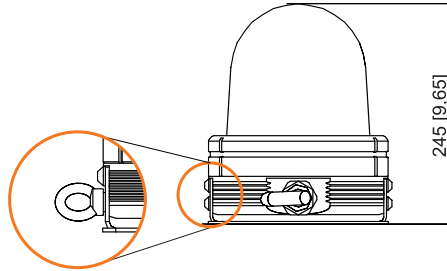
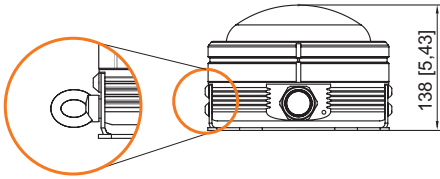
| Selection Table | | | | | | | |
|---|-------|--|--------|--------|--------------|----------|--------|
| Product description | | TRANBERG® main light for helicopter deck | | | | | |
| Figure | Power | Height | Width | Length | Old Art. No. | Art. No. | Weight |
|  | 30 W | 245 mm | 263 mm | 200 mm | 9980000 | 262975 | 11 kg |
| Product description | | TRANBERG® repeater light low for helicopter deck | | | | | |
| Figure | Power | Height | Width | Length | Old Art. No. | Art. No. | Weight |
|  | 3.5 W | 138 mm | 263 mm | 200 mm | 9980006 | 336847 | 9 kg |

| Technical Data | | |
|---------------------------------------|--|--|
| Variant | TEF9980000 | TEF9980006 |
| Explosion Protection | | |
| IECEx gas explosion protection | Ex db op is IIB+H2 T5 Gb | Ex db op is IIB+H2 T5 Gb |
| ATEX gas explosion protection | Ⓔ II 2 G Ex db op is IIB+H2 T5 Gb | Ⓔ II 2 G Ex db op is IIB+H2 T5 Gb |
| CAA UK | CAP437 | CAP437 |
| CAA Norway | | BSL E 2-1:2014 |
| Installation | in Zone 1 and in safe areas | in Zone 1 and in safe areas |
| Electrical Data | | |
| Rated operational voltage DC | 16 ... 32 V | 16 ... 32 V |
| Nominal current at DC | 2.2 – 6.5 A | 0.2 – 0.5 A |
| Frequency | 50 / 60 Hz | 50 / 60 Hz |
| Auxiliary Power | | |
| Current consumption | 6.15 A @ 16 V | 0.41 A @ 16 V |
| Ambient Conditions | | |
| Ambient temperature | -40 °C ... +55 °C | -40 °C ... +55 °C |
| Lighting Data | | |
| Lamp | Red LED + IR | Red LED + IR |
| Effective luminous intensity | 700 cd | 60 cd |
| Flash rate | 120/min; 60/min while landed | 120/min; 60/min while landed |
| Mechanical Data | | |
| Degree of protection (IP) | IP66 | IP66 |
| Degree of protection (IP) (IEC 60529) | IP67 | IP67 |
| Enclosure material | Aluminium, powder-coated, Seawater-resistant | Aluminium, powder-coated, Seawater-resistant |
| Material dome | Glass tempered | Glass tempered |
| Colour of glass | Clear | Clear |
| Conductor length | 3 m | 3 m |
| Type of connection cable | BFOU 0.6/1.2kV P5/P12 | BFOU 0.6/1.2kV P5/P12 |
| Mounting / Installation | | |
| Mounting part material | Stainless steel | Stainless steel |
| Connection type | Flying lead | Flying lead |

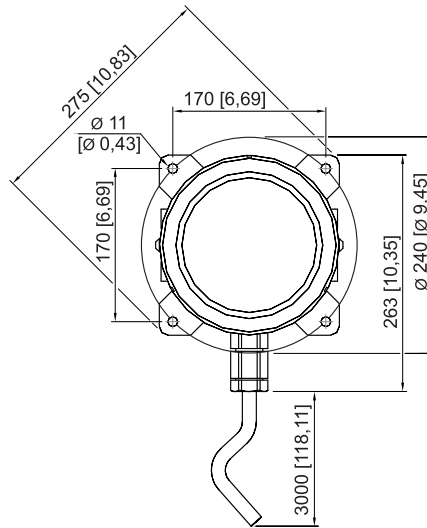
| Accessories | | | |
|---|--|----------|---------|
| Figure | Description | Art. No. | Weight |
| Eye bolt | | | |
| | Eye bolt for fixing of security cable Old Art. No. 5838 | 262979 | - |
| Junction box | | | |
|  | Junction box for single lamp connection, TEF 1058, Size 20 Old Art. No. 10582089 | 262977 | 1.35 kg |
|  | Junction box for single lamp connection + connection to next lamp, TEF 1058, Size 25 Old Art. No. 10582589 | 262978 | 1 kg |

Dimensional Drawings (All Dimensions in mm [inches]) – Subject to Alterations

E6



Art. No. 336847



Art. No. 262975