

- Low profile, easy to fit inside cabinets
- Self-regulating heating element. Prevents overheating
- Rugged AISI 316L, acid steel construction
- Ambient air thermostat, integrated in heater junction box
- Low maintenance
- For use inside equipment enclosures and cabinets to prevent condensation and provide climatic control
- Frost protection

MY R. STAHL T9207C



Globally approved Ex e, self regulating enclosure heater. AISI 316L acid resistant steel enclosure and junction box. Junction box for electrical connections. Delivered with ambient air thermostat, +5 °C or +15 °C and power output from 100 W up to 600 W at 0 °C ambient, still air.

	IECEX / ATEX					
Zone	0	1	2	20	21	22
Installation in		•	•			

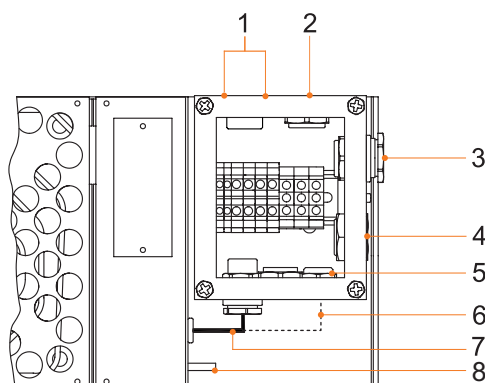
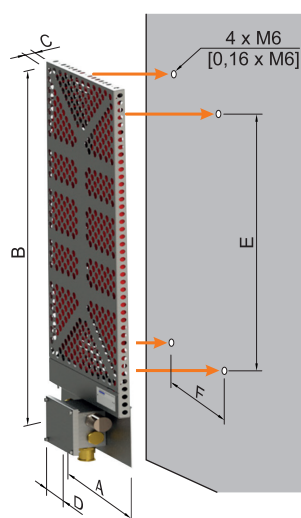
Selection Table				
Version	-			
Power	Opening temperature OFF	Opening temperature tolerance	Product Type	Art. No.
100 W	+5 °C	+/- 5°C	TEF92072401	220175
	+15 °C	+/- 5°C	TEF92072601	242183
200 W	+5 °C	+/- 5°C	TEF92072402	220176
	+15 °C	+/- 5°C	TEF92072602	242184
300 W	+5 °C	+/- 5°C	TEF92072403	220177
	+15 °C	+/- 5°C	TEF92072603	242185
500 W	+5 °C	+/- 5°C	TEF92072405	220179
	+15 °C	+/- 5°C	TEF92072605	242186
Version	Sandwich design			
Power	Opening temperature OFF	Opening temperature tolerance	Product Type	Art. No.
400 W	+5 °C	+/- 5°C	TEF92074404	220178
	+15 °C	+/- 5°C	TEF92074604	242187
600 W	+5 °C	+/- 5°C	TEF92074406	220180
	+15 °C	+/- 5°C	TEF92074606	242188
1000 W	+5 °C	+/- 5°C	TEF92074410	220181
	+15 °C	+/- 5°C	TEF92074610	242189

Technical Data	
Explosion Protection	
IECEX gas explosion protection	Ex e IIC T3 Gb
ATEX gas explosion protection	Ⓔ II 2 G Ex e IIC T3 Gb
Electrical Data	
Frequency range	50 – 60 Hz

Technical Data

Ambient Conditions	
Ambient temperature	-50 °C ... +50 °C (live)
Storage temperature	-50 °C ... +80 °C
Mechanical Data	
Degree of protection (IP)	IP66
Enclosure material	Stainless steel 1.4404
Max. connection cross section, solid	4 mm ²
Max. connection cross-section, finely stranded	2,5 mm ²
Components	
Cable glands and entries	1 x M25 x 1.5
Stopping plugs	3 x M25 x 1.5

Dimensional Drawings (All Dimensions in mm [inches]) – Subject to Alterations



- 1 Ambient air thermostat
 - 2 Stopping plug M25
 - 3 Power in M25
 - 4 Breather M25
 - 5 Stopping plug M25
 - 6 ¹ 2x cold lead only (for sandwich design)
 - 7 ¹ Cold lead
 - 8 Earth bolt
- ¹ internal cables from heater plate (installed at TRANBERG Factory)

Note! Never install the heater with junction box facing upwards.

Nominal output ¹	Overall dimensions				Mounting dimensions		Weight
	A	B	C	D	E	F	
100 W	233	430	30	80	190	160	2.92 kg
200 W	245	684	30	80	440	200	4.74 kg
300 W	280	834	30	80	590	240	6.72 kg
400 W	303	684	80	80	440	276	6.44 kg
500 W	360	1004	30	80	760	320	9.32 kg
600 W	343	834	80	80	590	316	11.76 kg
1000 W	424	1004	80	80	760	397	18.50 kg

¹ Note: Nominal output at still air at 0 °C